

KENWOOD

Land Mobile Radio Project 25 Price Guide



July 1, 2014

Table of Contents:

Portables

[TK-5210G / 5310G](#)

[TK-5410](#)

[TK-5410D](#)

[TK-5220 / 5320](#)

Mobiles

[TK-5710G / 5810G](#)

[TK-5720 / 5820](#)

[TK-5910](#)

TK-5210G / 5310G

VHF/UHF FM Analog & P25 Digital Portable Radios



All 5X10G series portables include:

- Belt Clip (KBH-11)
- Universal Connector Cap
- Instruction Manual
- Premium Warranty: 3 Years*

* All Accessories / options: 1 Year

Order packages to include Battery & Charger, or purchase Battery, Charger, and Antenna separately.

G models are Ver 3 Hardware (starting S/No. B03xxxxx)

Basic Model

No LCD display; no front panel keys
 - TK-5210GK, TK-5310GK/GK4

Standard Model

16-Character Alphanumeric LCD
 4 control keys
 - TK-5210GK2/K7, TK-5310GK2/K5/K7

12 Keypad Model

16-Character Alphanumeric LCD
 4 control keys
 DTMF/Function keypad
 - TK-5210GK3, TK-5310GK3/K6

GENERAL FEATURES

- 5 Watt (136-174 MHz)
- 4 Watt (450-520, 380-470 MHz)
- 100 Zones / 1024 Channels (K-K6)
- 32 Zones / 128 Channels (K7)
- Personality Lists
- Backlit Dot Matrix LCD
- 16 Character Alphanumeric Aliases
- 3-Digit Sub-Display
- Function / Status LCD Icons
- RSSI Indicator
- Transmit / Busy / Call Alert / Warn LED
- On/Off Volume Knob
- 16-Position Selector Knob
- 2-Position PF Lever Switch
- 3-Position PF Concentric Switch
- 4 Front Menu-Driven PF Keys
- 3 Side PF Keys
- Orange Emergency / AUX Key
- 12-Key DTMF / PF Keypad
- Enhanced Kenwood Audio
- Voice Annunciation
- VOX Ready
- Emergency Features
- Tactical Group
- Battery Level Indicator
- Transceiver Password
- Date & 12/24 Hour Time Clock
- Windows® Programming & Tuning
- Windows® Firmware Uploading
- Self-Programming & Tuning
- Cloning
- Easy Option Port
- Voice Guide & Storage (Option)
- Weather-Sealed Accessory Connector
- MIL-STD-810 C/D/E/F/G
- IP54/55 Water & Dust Protection
- Immersion (IP66/67/68) Option
- Intrinsically Safe Option*

P25 DIGITAL

- P25 Digital Conventional
- P25 Digital Trunking Option
- AMBE+2™ Enhanced VOCODER
- Talk Group ID Lists
- Individual ID Lists
- Caller ID Display
- Remote Monitor/Remote Check
- Radio Inhibit
- Encryption Key Delete
- Encryption Key Zeroize Option
- Encryption Key Retention Option
- DES Encryption Options
- AES / DES Encryption Options
- KPG-93 KVL Key Loader Interface Cable
- P25 GPS Location
- P25 OTAR Option

SCAN TYPES (FM & P25)

- Single Zone/Multi-Zone Scan
- Scan Lists
- Conventional Scan
- Limited Talk Group Scan
- Priority Monitor Scan
- Dual Priority Scan

FM

- QT / DQT
- Operator Selectable Tone
- Two-Tone Encode / Decode
- DTMF Encode / Decode / Stun
- Special Alert Tone Patterns
- Encryption / ANI Board Control
- Companded Audio
- FleetSync® /II PTT ID / Caller ID Display / Emergency
- MDC-1200 PTT ID / Caller ID Display / Emergency

* Approved for Classes I, II & III, Div. 1, Groups D, E, F, G and are also approved for non-Incendive use in Class I, Div. 2, Groups A, B, C, D hazardous locations.

Note: Class I, Div 2 Group A & B Gases require use of a portable carrying case.

PACKAGES		EPL	LIST
TK-5210GK2-NKP	VHF NiMH Battery Package (TK-5210GK2 + KNB-54N + KSC-32 + KBH-11)	1,316.25	1,755.00
TK-5210GK2-LKP	VHF Li-Ion Battery Package (TK-5210GK2 + KNB-43L + KSC-32 + KBH-11)	1,373.25	1,831.00
TK-5310GK2-NKP	UHF NiMH Battery Package (TK-5310GK2 + KNB-54N + KSC-32 + KBH-11)	1,316.25	1,755.00
TK-5310GK2-LKP	UHF Li-Ion Battery Package (TK-5310GK2 + KNB-43L + KSC-32 + KBH-11)	1,373.25	1,831.00

Programming Cost: \$75.00 Installation: N/A

RADIO		EPL	LIST
TK-5210GK2	136-174MHz 5W, 1024 CH, Standard Model	1,198.50	1,598.00
TK-5210GK3	136-174MHz 5W, 1024 CH, 12 Keypad Model	1,317.75	1,757.00
TK-5310GK2	450-520 MHz 4W, 1024 CH, Standard Model	1,198.50	1,598.00
TK-5310GK3	450-520 MHz 4W, 1024 CH, 12 Keypad Model	1,317.75	1,757.00
TK-5310GK5	380-470 MHz 4W, 1024 CH, Standard Model	1,198.50	1,598.00
TK-5310GK6	380-470 MHz 4W, 1024 CH, 12 Keypad Model	1,317.75	1,757.00

Programming Cost: \$75.00 Installation: N/A

RADIO (Special Color Housing)		EPL	LIST
TK-5210GK2YH	136-174MHz 5W, 1024 CH, Standard Model (w/ Yellow Housing) [see note 1]	1,293.00	1,724.00
TK-5210GK2OH	136-174MHz 5W, 1024 CH, Standard Model (w/ Orange Housing) [see note 1]	1,293.00	1,724.00
TK-5310GK2YH	450-520 MHz 4W, 1024 CH, Standard Model (w/ Yellow Housing) [see note 1]	1,293.00	1,724.00
TK-5310GK2OH	450-520 MHz 4W, 1024 CH, Standard Model (w/ Orange Housing) [see note 1]	1,293.00	1,724.00
TK-5310GK5YH	380-470 MHz 4W, 1024 CH, Standard Model (w/ Yellow Housing) [see note 1]	1,293.00	1,724.00
TK-5310GK5OH	380-470 MHz 4W, 1024 CH, Standard Model (w/ Orange Housing) [see note 1]	1,293.00	1,724.00

Programming Cost: \$75.00 Installation: N/A

FACTORY MUTUAL (FM) APPROVED MODELS		EPL	LIST
Must Order L-986 & an Intrinsically Safe Battery per radio			
TK-5210-ISGK	136-174MHz 5W, 1024 CH, Basic Model [see note 1]	918.75	1,225.00
TK-5210-ISGK2	136-174MHz 5W, 1024 CH, Standard Model	1,198.50	1,598.00
TK-5210-ISGK2-YH	136-174MHz 5W, 1024 CH, Standard Model (w/ Yellow Housing) [see note 1]	1,293.00	1,724.00
TK-5210-ISGK2-OH	136-174MHz 5W, 1024 CH, Standard Model (w/ Orange Housing) [see note 1]	1,293.00	1,724.00
TK-5210-ISGK3	136-174MHz 5W, 1024 CH, 12 Keypad Model	1,317.75	1,757.00
TK-5210-ISGK7	136-174MHz 5W, 128 CH, Standard Model [see note 1]	1,050.00	1,400.00
TK-5310-ISGK	450-520 MHz 4W, 1024 CH, Basic Model [see note 1]	918.75	1,225.00
TK-5310-ISGK2	450-520 MHz 4W, 1024 CH, Standard Model	1,198.50	1,598.00
TK-5310-ISGK2-YH	450-520 MHz 4W, 1024 CH, Standard Model (w/ Yellow Housing) [see note 1]	1,293.00	1,724.00
TK-5310-ISGK2-OH	450-520 MHz 4W, 1024 CH, Standard Model (w/ Orange Housing) [see note 1]	1,293.00	1,724.00
TK-5310-ISGK3	450-520 MHz 4W, 1024 CH, 12 Keypad Model	1,317.75	1,757.00
TK-5310-ISGK4	380-470 MHz 4W, 1024 CH, Basic Model [see note 1]	918.75	1,225.00
TK-5310-ISGK5	380-470 MHz 4W, 1024 CH, Standard Model	1,198.50	1,598.00
TK-5310-ISGK5-YH	380-470 MHz 4W, 1024 CH, Standard Model (w/ Yellow Housing) [see note 1]	1,293.00	1,724.00
TK-5310-ISGK5-OH	380-470 MHz 4W, 1024 CH, Standard Model (w/ Orange Housing) [see note 1]	1,293.00	1,724.00
TK-5310-ISGK6	380-470 MHz 4W, 1024 CH, 12 Keypad Model	1,317.75	1,757.00
TK-5310-ISGK7	380-470 MHz 4W, 128 CH, Standard Model [see note 1]	1,050.00	1,400.00

[note 1]: these models are stocked in minimum quantities. Please anticipate a minimum 90-day lead time and call order desk to verify availability.

Programming Cost: \$75.00 Installation: N/A

ANTENNAS		EPL	LIST
KRA-26M	VHF helical antenna 146-162 MHz	10.50	14.00
KRA-26M2	VHF helical antenna 162-174 MHz	10.50	14.00
KRA-26M3	VHF helical antenna 136-150 MHz	10.50	14.00
KRA-27M	UHF whip antenna 440-490 MHz	10.50	14.00
KRA-27M2	UHF whip antenna 470-520 MHz	10.50	14.00
KRA-27M3	UHF whip antenna 400-450 MHz	10.50	14.00

ANTENNAS - CONT'D		EPL	LIST
KRA-22M	VHF low-profile helical antenna 148-162 MHz	10.28	13.70
KRA-22M2	VHF low-profile helical antenna 162-174 MHz	10.28	13.70
KRA-22M3	VHF Low-profile helical antenna 136-150 MHz	10.28	13.70
KRA-23M	UHF low-profile helical antenna 450-490 MHz	10.28	13.70
KRA-23M2	UHF low-profile helical antenna 470-512 MHz	10.28	13.70
KRA-23M3	UHF low-profile helical antenna 403-430 MHz	10.28	13.70
KRA-16M	VHF stubby antenna 148-162 MHz	10.28	13.70
KRA-16M2	VHF stubby antenna 162-174 MHz	10.28	13.70
KRA-16M3	VHF stubby antenna 136-150 MHz	10.28	13.70
KRA-17M	UHF stubby antenna 450-490 MHz	10.28	13.70
KRA-17M2	UHF stubby antenna 470-512 MHz	10.28	13.70
KRA-17M3	UHF stubby antenna 403-430 MHz	10.28	13.70
KRA-25	High gain VHF helically loaded whip antenna 148-162 MHz	25.69	34.25
KRA-28	Broad-band VHF helically loaded whip antenna 140-170 MHz	31.50	42.00
KRA-29	Broad Band UHF Whip Antenna 380-430 MHz	27.56	36.75

BATTERIES AND CHARGERS		EPL	LIST
KNB-54N	2500 mAh, Ni-MH battery - requires KSC-32/326K charger [Immersion Option compatible]	65.63	87.50
KNB-33L	2000 mAh, Li-ion battery - requires KSC-32/326K charger [Immersion Option compatible]	78.75	105.00
KNB-41NC-FM	2500 mAh, Ni-MH battery - requires KSC-32/326K charger [FM Intrinsically Safe Option]	102.38	136.50
KNB-43L	3300 mAh, Li-Polymer battery - requires KSC-32/326K charger	122.25	163.00
KNB-49PL	4500 mAh, Primary Lithium battery Note: Non-Rechargeable (please recycle all batteries properly) 10 year Shelf Life (approx. 1% charge degradation per year when properly stored: +50 °F to +86 °F @ less than 70% humidity)	63.00	84.00
KBP-6	AA Alkaline Refillable Battery Pack (6 AA; 9V) cells not included Note: the color of the case is orange	51.38	68.50
KSC-32	Rapid rate single unit charger for KNB-31A/32N/33L/41NC/43L/47L/48L/50NC Note: Includes 110/220V auto-switching AC adapter with U.S.-style line cord plug; requires plug adapter for 220V Euro-style outlets (not supplied).	52.50	70.00
KSC-326K	Rapid rate 6-unit charger for KNB-31A/32N/33L/41NC/43L/47L/48L/50NC	472.50	630.00
KMB-30M	Wall Mount Bracket for KSC-326K/256K	25.31	33.75
KMB-23	Six Unit Charger Adapter for the KSC-16/20/24/25/25L/32 chargers (chargers not included)	143.25	191.00
KVC-15	Rapid rate DC vehicular charger adapter for the KSC-32 (chargers not included; includes KSC-mobile bracket & cigarette lighter cable DC adapter)	89.25	119.00
KVC-18	Vehicular D.C. Charger for 180/5*10 Portables with NiCd or NiMH Battery	334.88	446.50
KVC-20L	Vehicular D.C. Charger for 180/5**0/, NX Portables with Li-ion or Li Polymer Battery	372.75	497.00

CARRYING ACCESSORIES		EPL	LIST
KBH-11	Spring action belt clip (2.5")	11.03	14.70
KBH-8DS	Leather swivel belt loop with portable D-Ring attachment	19.73	26.30
KLH-6SW	Leather swivel belt loop / detachable swivel D-Ring back	16.50	22.00
KLH-133K	Heavy duty leather carrying case for TK-5*10 Basic Models	33.19	44.25
KLH-133K2	Heavy duty leather carrying case for TK-5*10 Standard Models	33.19	44.25
KLH-133K3	Heavy duty leather carrying case for TK-5*10 12 Keypad Models	33.19	44.25
KLH-134K	Cordura Nylon carrying case for TK-5*10 Basic Models	19.73	26.30
KLH-134K2	Cordura Nylon carrying case for TK-5*10 Standard Models	19.73	26.30
KLH-134K3	Cordura Nylon carrying case for TK-5*10 12 Keypad Models	19.73	26.30
KLH-137ST	Firemen's Heavy-Duty Leather Shoulder Strap for a Heavy-Duty Leather Case (KLH-75B/76B/78B/79B//92/122/123/133/148/154)	27.56	36.75

MICROPHONES & AUDIO ACCESSORIES		EPL	LIST
KMC-51M	MIL-SPEC, IP54/55 DSP Digital Noise-canceling Speaker Mic	187.50	250.00
KMC-52W	MIL-SPEC, IP67 (Immersion) DSP Digital Noise-canceling Speaker Mic	225.00	300.00
	[note 2]: To adjust microphone settings different from factory default, download KPG-147NC configuration software and special configuration firmware from Kenwood Tools (no charge).		
KMC-47GPS	GPS Speaker Microphone	217.50	290.00
KMC-41M	MIL-SPEC, IP54/55 Noise-canceling Speaker Mic [Intrinsically Safe Approved Accessory]	72.38	96.50
KMC-42WM	MIL-SPEC, IP67 (Immersion) Noise-canceling Speaker Mic [Intrinsically Safe Approved Accessory] [MSHA Approved Accessory]	85.50	114.00
KMC-26	MIL-SPEC, Noise canceling Speaker mic w/Antenna Connector (ant. not incl.) [Intrinsically Safe Approved Accessory] [MSHA Approved Accessory]	86.63	115.50
KMC-49	MIL-SPEC, Speaker Mic. with Antenna Connector [Intrinsically Safe Approved Accessory] Note: 5/16" Coax cable hex wrench included (antenna is not included).	187.50	250.00
KEP-1	3.5mm earphone kit for KMC-25/26/41M/42WM Speaker Mics [Intrinsically Safe Approved Accessory] [MSHA Approved Accessory]	39.38	52.50
KEP-3	30" Earphone kit w/ 2.5mm plug for KCT-30 [Intrinsically Safe Approved Accessory] [MSHA Approved Accessory]	38.63	51.50
KEP-4	48" Earphone kit w/ 2.5mm plug for KCT-30 [Intrinsically Safe Approved Accessory]	41.06	54.75
KCT-30	2.5mm Audio Accessory Adapter for KEP-3/4 [Intrinsically Safe Approved Accessory]	48.00	64.00
KCT-51	Hirose 6-pin Adapter (adapts KVL/aftermarket audio acc. to portable connector)	161.25	215.00
KHS-11BE	2-wire palm mic w/earphone, universal connector (Beige) [Intrinsically Safe Approved Accessory]	117.38	156.50
KHS-11BL	2-wire palm mic w/earphone, universal connector (Black) [Intrinsically Safe Approved Accessory]	117.38	156.50
KHS-12BE	3-wire mini lapel mic w/earphone, universal connector (Beige) [Intrinsically Safe Approved Accessory]	138.00	184.00
KHS-12BL	3-wire mini lapel mic w/earphone, universal connector (Black) [Intrinsically Safe Approved Accessory]	138.00	184.00
KHS-14	Lt. Wt. Single muff headset w/boom mic & In-line PTT [Intrinsically Safe Approved Accessory]	94.50	126.00
KHS-15-BH	Hvy-duty noise reduction behind-the-headset w/noise cancelling boom mic & in-line PTT [Intrinsically Safe Approved Accessory] [MSHA Approved Accessory]	315.00	420.00
KHS-15-OH	Hvy-duty noise reduction over-the-headset w/noise cancelling boom mic & in-line PTT [Intrinsically Safe Approved Accessory] [MSHA Approved Accessory]	276.00	368.00

ENVIRONMENTAL SPEC. OPTIONS		EPL	LIST
KWD-IM10	IP 66/67/68 Immersion Option Kit* Must Order L-987 Note: Initial Installation Kenwood Long Beach Tuning Dept. only. To maintain immersion certification, re-certification is required every 2 years available at Kenwood Authorized Service Centers only. Call an ASC for return procedure (\$315.00 List Price) IP 66 (Dust & Water Jet Intrusion), IP 67 (Immersion in 3.3 ft. (1m) depth @ 30 mins), IP 68 (Immersion in 3.3 ft. (1m) depth @ 2 hours)	276.00	368.00

FIRMWARE OPTIONS		EPL	LIST
KWD-RK20	<p>OTAR Option for KWD-AE20K Encryption Module in TK-5x10 series (OTAR in P25 Conventional & Trunked Modes)</p> <ul style="list-style-type: none"> • Requires KWD-AE20K module. • L-1108 (for portable) & L-1109 (for mobile) Installation (no charge) • L-1733 (for portable) & L-1734 (for mobile) Field Upgrade Option <p>Note:</p> <ul style="list-style-type: none"> • Supports OTAR in P25 Conventional & Trunked modes (Not compatible with GK7 64 CH Model) • Compatible with Motorola KMF P25 OTAR (excludes Motorola-proprietary non-TIA/P25 KMF features) • Requires KPG-95D/DG(N) V7.10 or later for radio programming • TK-5x10 VER2: Requires KPG-95D V5.40 or later for radio programming • TK-5410/5910: Requires KPG-95D V6.00 or later for radio programming • TK-5x10G: Requires KPG-95DG(N) for radio programming • TK-5x10 VER2: Option deletes self-programming, cloning and analog FleetSync® (except PTT ID/Emergency) when installed. <p>KWD-RK20 is an U.S. DOC/BIS Export Controlled Item (ECCN 5D002A)</p> <p>- See IMPORTANT NOTES -</p>	622.50	830.00
KWD-TR20	<p>Trunking Option for TK-5210/5310/5210G/5310G, TK-5710/5810/5710G/5810G</p> <p>KWD-TR20 support: 16 Trunking Network</p> <p>Must order L-1055 for factory installation, or L-1067 for field-upgrade option</p> <p>Note: KPG-95D/95DG(N) Requires Network Level License ID to program trunked network radio parameters (see KPG-95D/95DG(N) for purchase restrictions & requirements)</p> <p>Compatible with TK-5210 Version 2 (SN 80600001 or later); TK-5310 (SN 809xxxxx or later); TK-5710 Version 2 (SN806xxxxx); TK-5810 (SN 809xxxxx or later);</p> <p>All TK-5x10G Series are compatible</p>	250.50	334.00
SOFTWARE OPTIONS		EPL	LIST
KPG-113AE	<p>AES/DES Encryption Software Key Loader for KWD-DE21K/KWD-AE21K</p> <p>Loads AES & DES keys on capable encryption modules</p> <p>Note: KPG-113AE is a U.S. DOC/BIS Export Controlled Item (ECCN 5D002A)</p> <p>- See IMPORTANT NOTES -</p>	393.75	525.00
KPG-114DE	<p>DES Encryption Software Key Loader for KWD-DE21K/KWD-AE21K</p> <p>Loads DES keys only regardless of encryption module model</p> <p>Note: KPG-114DE is a U.S. DOC/BIS Export Controlled Item (ECCN 5D992A.1)</p> <p>- See IMPORTANT NOTES -</p>	276.00	368.00
OPTION MODULES		EPL	LIST
KCT-48VU	<p>External Vibration Unit</p> <p>[Intrinsically Safe Approved Accessory]</p> <p>Note: Audio accessories cannot be used when this option installed.</p> <p>KCT-48VU does not support the P25 digital mode calling or paging features</p>	36.75	49.00
KCT-57MS	<p>Man-Down Internal Tilt Switch (Non-Mercury)</p> <p>[Intrinsically Safe Approved Accessory]- Must be Kenwood installed for I.S.</p> <p>Order L-1613 for CIM-1000, K-20, K-26 & L-1614 for FleetSync®/P25 Emergency operations</p>	16.50	22.00
KWD-AE20K	<p>AES FIPS140-2 & DES Encryption Module for TK-5x10, TK-5x10G & TK-5x20 Portables & Mobiles (except K7 Portable)</p> <p>[KWD-AE20K support]</p> <ul style="list-style-type: none"> - Advanced Encryption Standard (AES): 256-bit symmetric key algorithm; NIST validated per FIPS140-2 - Data Encryption Standard (DES): 56-bit symmetric key algorithm. - 16 Multi-key List (user-selectable / per Personality programming) - Stores: 1024 keys & 1024 Common Key References (CKR) - Must order KWD-RK20 for OTAR capability <p>[Intrinsically Safe Approved Accessory] - Order L-1236 if installation is required.</p> <ul style="list-style-type: none"> - KWD-AE20K requires: a Motorola KVL3000/+ & KVL-4000 Key Fill Devices and KMF P25 OTAR (excludes Motorola-proprietary non-TIA/P25 KMF features). F/W VA2.0.3 or later supports the KVL4000. - KWD-AE20K is an U.S. DOC/BIS Export Controlled Item (ECCN 5A002A.1) <p>- See IMPORTANT NOTES -</p>	748.50	998.00

OPTION MODULES - CONT'D		EPL	LIST
KWD-AE21K	AES & DES Encryption Module for TK-5x10, TK-5x10G & TK-5x20 Portables & Mobiles (except K7 Portable) [KWD-AE20K support] - Advanced Encryption Standard (AES): 256-bit symmetric key algorithm; - Data Encryption Standard (DES): 56-bit symmetric key algorithm. - 16 Multi-key List (user-selectable / per Personality programming) - Stores: 1024 keys & 1024 Common Key References (CKR) [Intrinsically Safe Approved Accessory] - Order L-1237 if installation is required. Note: Requires KPG-113AE software key loader or Motorola KVL3000 Plus key loader device. KWD-AE21K is an U.S. DOC/BIS Export Controlled Item (ECCN 5A002A.1) - See IMPORTANT NOTES -	748.50	998.00
KWD-DE21K	DES Encryption Module for TK-5x10, TK-5x10G & TK-5x20 Portables & Mobiles [KWD-DE21K support] - Data Encryption Standard (DES): 56-bit symmetric key algorithm - 16 Multi-key List (user-selectable / per Personality programming) - Stores: 1024 keys & 1024 Common Key References (CKR) [Intrinsically Safe Approved Accessory] - Order L-1560 if installation is required Note: Requires KPG-114DE or KPG-113AE software key loader or Motorola KVL3000 Plus key loader device. KWD-DE21K is a U.S. DOC/BIS Export Controlled Item (ECCN 5A992A) - See IMPORTANT NOTES -	433.50	578.00
VGS-1	Voice Guide and Storage Unit [Intrinsically Safe Approved Accessory]	65.63	87.50
SERVICE RELATED ACCESSORIES		EPL	LIST
KPG-36UM	USB Programming interface cable	118.88	158.50
KPG-93	KVL-3000/3000 Plus Interface Cable for TK-5x10, TK-5x10G & TK-5x20 Portables	196.88	262.50
KPG-95DGNK	Windows® Programming Software for TK-5x10 & TK-5x10G Portables & Mobiles (Compliant with FCC Part 90 Narrowbanding) Note: Self-programming function is not available. Analog & P25 Conventional Programming A "Dealer-Level" License ID is included with each KPG-95DG(N)K which only permits full analog conventional and P25 conventional programming. Data files created with a "Network-Level Licensed" KPG-95DG(N)K and containing P25 programmed P25 trunked network parameters can be loaded and viewed with a Dealer-Level Licensed KPG-95DG(N)K, but the trunked network parameters cannot be changed. P25 Trunked Programming Capability (licensed by either 1 or 2 below): 1. KPG-95DG(N)K with System Key File (*.SKF)- See L-989 • For all TK-5x10 radio platforms (VER1, 2, 3 or later). • 3-digit HEX System ID (HSID) and verifiable written authorization required from trunked system operator (SYSOP). • Purchase KPG-95DG(N)K & L-989 Network-Level License ID • Kenwood ships an encrypted *.SKF file on CD ROM • The *.SKF securely embeds/encrypts the 16-digit Network Level License ID & the HSID. 2. KPG-95DG(N)K with Advanced Network Keys (ANK's) • For TK-5x10G/5410/5910 VER 3 or later radio platforms only. • SYSOPs: Refer to KWD-ANK-MK Master Key • Dealers/contractors: Refer to KWD-ANK-AK Access Key • KPG-95DG(N)K (V7.0 or later) supports up to 16 KWD-ANK-AK Access Keys (16 trunked networks).	471.00	628.00
KWD-ANK-AK	Access Key for KPG-95DG(N)K P25 trunked programming Notes: • For TK-5x10G/5410/5910 VER 3 or later radio platforms only • Must be activated by a SYSOP with KWD-ANK-MK Master Key. • Must have KPG-95DG(N)K (V7.0 or later); L-989 is NOT required. • Battery Life: 3 years (non-serviceable; key must be replaced)	156.00	208.00
KWD-ANK-MK	Master Key for activating KWD-ANK-AK Access Keys - Restricted Purchase Requirements - Notes: • For TK-5x10G/5410/5910 VER 3 or later radio platforms only. • Sold to SYSOP or SYSOP authorized entities only • Must have KPG-95DG(N)K (V7.0 or later) with L-989 Network-Level License ID • SYSOP must provide 3-digit HEX HSID to Kenwood. • Purchase KWD-ANK-AK Access Keys if needed. • Battery Life: 3 years (non-serviceable; key must be replaced)	375.00	500.00

INSTALLATION / TUNING CHARGES		EPL	LIST
L-961	Assemble KMB-23 with six KSC-32K's (Rapid Rate, 120 Volt version only)	12.75	17.00
L-986	Configure TK-5x10-IS & TK-5x10-ISG for Intrinsically Safe Must order an I.S. battery, KNB-41NC-FM	75.00	100.00
L-987	Immersion Option Certification (Must purchase Immersion Option Kit, KWD-IM10 separately)	N/C	N/C
L-989	KPG-95D/95DG(N) Network Level ID (encrypted data file)	99.00	132.00
L-990	TK-5x10 & TK-5x10G Portable Programming (Basic TX/RX check only with factory test freq.s or dealer/customer provided KPG-95D/95DG(N) data file)	93.75	125.00
L-1055	Install KWD-TR20 Trunking Option in TK-5210/5310/5210G/5310G (Must purchase KWD-TR20K separately)	N/C	N/C
L-1067	TK-5210/5310 KWD-TR20 FIELD-UPGRADE (Must purchase KWD-TR20 separately)	31.50	42.00
L-1108	Install KWD-RK20 OTAR Option in TK-5x10 & TK-5x10G Series (Must purchase KWD-RK20 separately)	N/C	N/C
L-1236	Install KWD-AE20K in TK-5x10 & TK-5x10G Series Portables (Must purchase module separately)	56.25	75.00
L-1237	Install KWD-AE21K in TK-5x10 & TK-5x10G Series Portables (Must purchase module separately)	56.25	75.00
L-1559	Install KWD-DE20K in TK-5x10 & TK-5x10G Series Portables (Must purchase module separately)	56.25	75.00
L-1560	Install KWD-DE21K in TK-5x10 & TK-5x10G Series Portables (Must purchase module separately)	56.25	75.00
L-1614	TK-5x10 & TK-5x10G Series Portable KCT-57MS Installation (for P25/FleetSync®)	15.00	20.00
L-1733	KWD-RK20 Field Upgrade Option for TK-5x10/5x10G/5410 (Must purchase KWD-RK20 separately)	31.50	42.00

-- IMPORTANT NOTES --

Encryption modules, key loaders and radios containing encryption are export controlled by the U.S. Department of Commerce Bureau of Industry & Security EAR regulations and may either require an Export License, are eligible for a License Exception (ENC) or are exportable with No License Required (NLR) depending on the country, the consignee and the intended use. High level encryption is a special commodity that may require an export license to most countries. See www.bis.gov for more information regarding export regulations. DO NOT SHIP encryption items outside the U.S. without proper DOC/BIS Export Licenses and/or compliances.

Kenwood may request the following information to be submitted at time of order (this information must meet Kenwood internal approvals prior to shipment even if being returned to Kenwood later:

- a) Initial Destination:** Initial delivery point if different from Ultimate Destination
(customer distribution center, headquarters, dealership, manufacturer's representative)
* Business/Agency Name:
* Address:
* Contact Person Name:
* Contact Phone:
- b) Ultimate Destination:** Final delivery point(s); deployment/distribution
* Business/Agency Name:
* Address:
* Contact Person Name:
* Contact Phone:
- c) Intended Use of Radios:** Law enforcement, security, operations, etc.

KWD-AE20 AES FIPS140-2 SCM , NIST Validation & Customer Shipping

A secure delivery method direct to the end user customer is required by the NIST AES FIPS 140-2 validation rules. For U.S. Federal Government entities the SCM must ship from Kenwood USA Corporation directly to the end user customer by a trusted carrier (FEDEX, UPS or a designated Kenwood USA Corporation employee); shipping/handling by a dealer or other entity is not acceptable. This may or may not be required by local/state government agencies or business/industrial users. Please check with the end use customer about their AES encryption handling requirements before ordering. Kenwood will not be responsible for shipments of KWD-AE20K modules to erroneous destinations specified on an order.

TK-5410

700/800 MHz FM Analog & P25 Digital Portable Radio



All 5410 series portables include:

- Belt Clip (KBH-11)
- Universal Connector Cap
- Instruction Manual
- Premium Warranty: 3 Years*

* All Accessories / options: 1 Year

Order packages to include Battery, Charger & Antenna, or purchase Battery, Charger, and Antenna separately.

- Standard Model**
16-Character Alphanumeric LCD
4 control keys
- 12 Keypad Model**
16-Character Alphanumeric LCD
4 control keys
DTMF/Function keypad

GENERAL FEATURES

- 3 Watt
- 100 Zones / 1024 Channels
- 12-Key Keypad Model
- Personality Lists
- Backlit Dot Matrix LCD
- 16 Character Alphanumeric Aliases
- 3-Digit Sub-Display
- Function / Status LCD Icons
- RSSI Indicator
- Transmit / Busy / Call Alert / Warn LED
- On/Off Volume Knob
- 16-Position Selector Knob
- 2-Position PF Lever Switch
- 3-Position PF Concentric Switch
- 4 Front Menu-Driven PF Keys
- 3 Side PF Keys
- Orange Emergency / AUX Key
- Zone / Ch Voice Announce
- VOX Ready
- Emergency Features
- Battery Level
- Transceiver Password
- Date & 12/24 Hour Time Clock
- Windows® Programming & Tuning
- Windows® Firmware Uploading
- Voice Guide & Storage (option)
- Weather-Sealed Accessory Connector
- MIL-STD-810 C/D/E/F/G
- IP54/55 Water & Dust Protection
- Immersion (IP66/67/68) Option
- Intrinsically Safe Option

P25 DIGITAL

- P25 Digital Conventional
- P25 Digital Trunking
- AMBE+2™ Enhanced VOCODER
- Talk Group ID Lists
- Individual ID Lists
- Caller ID Display
- Remote Monitor / Check, Radio Inhibit
- Encryption Key Zeroize & Retention
- DES Encryption Option
- AES & DES Encryption Options
- KPG-36AM Radio Program/Soft-Key Loader Cable
- KPG-93 KVL Device Key Loader Cable
- P25 GPS Location
- P25 OTAR Option

SCAN TYPES (FM & P25)

- Single Zone/Multi-Zone Scan
- Scan Lists
- Conventional Scan
- Limited Talk Group Scan
- Priority Monitor Scan
- Dual Priority Scan

FM

- QT / DQT
- Operator Selectable Tone
- DTMF Encode
- Companded Audio
- NPSPAC Channels

* Approved for Classes I, II & III, Div. 1, Groups D, E, F, G and are also approved for non-Incendive use in Class I, Div. 2, Groups A, B, C, D hazardous locations.
Note: Class I, Div 2 Group A & B Gases require use of a portable carrying case.

PACKAGES		EPL	LIST
TK-5410K2-NKP	NiMH Battery Package (TK-5410K2 + KNB-54N + KSC-32 + KBH-11+KRA-32K)	1,388.63	1,851.50
TK-5410K2-LKP	Li-Polymer Package (TK-5410K2 + KNB-43L + KSC-32 + KBH-11+KRA-32K)	1,445.25	1,927.00
TK-5410K3-NKP	NiMH Battery Package (TK-5410K3 + KNB-54N + KSC-32 + KBH-11+KRA-32K)	1,507.13	2,009.50
TK-5410K3-LKP	Li-Polymer Package (TK-5410K3 + KNB-43L + KSC-32 + KBH-11+KRA-32K)	1,563.75	2,085.00

Programming Cost: \$75.00 Installation Cost: N/A

RADIO		EPL	LIST
TK-5410K2	700/800 MHz 3W, 1024 CH, Standard Model	1,244.25	1,659.00
TK-5410K3	700/800 MHz 3W, 1024 CH, 12 Keypad Model	1,362.75	1,817.00

Programming Cost: \$75.00 Installation Cost: N/A

RADIO		EPL	LIST
TK-5410K2-YH	700/800 MHz 3W, 1024 CH, Standard Model (w/ Yellow Housing) [see note 1]	1,338.00	1,784.00
TK-5410K2-OH	700/800 MHz 3W, 1024 CH, 12 Keypad Model (w/ Orange Housing) [see note 1]	1,338.00	1,784.00

[Note 1]: These models are stocked in minimum quantities. Please anticipate a 90-day lead time. Contact the order desk to verify availability.

Programming Cost: \$75.00 Installation Cost: N/A

FACTORY MUTUAL (FM) APPROVED MODELS		EPL	LIST
Must Order L-986 & an Intrinsically Safe Battery per radio			
TK-5410-ISK2	700/800 MHz 3W, 1024 CH, Standard Model	1,244.25	1,659.00
TK-5410-ISK3	700/800 MHz 3W, 1024 CH, 12 Keypad Model	1,362.75	1,817.00
Programming Cost: \$75.00 Installation Cost: N/A			
ANTENNAS		EPL	LIST
KRA-32K	700/800 MHz Whip Antenna	26.25	35.00
KRA-36	700/800 MHz Stubby Antenna	18.75	25.00
BATTERIES AND CHARGERS		EPL	LIST
KNB-54N	2500 mAh, Ni-MH battery - requires KSC-32/326K charger [Immersion Option compatible]	65.63	87.50
KNB-33L	2000 mAh, Li-ion battery - requires KSC-32/326K charger	78.75	105.00
KNB-41NC-FM	2500 mAh, Ni-MH battery - requires KSC-32/326K charger [FM Intrinsically Safe Option] [Immersion Option compatible]	102.38	136.50
KNB-43L	3300 mAh, Li-Polymer battery - requires KSC-32/326K charger	122.25	163.00
KNB-49PL	4500 mAh, Primary Lithium battery Note: Non-Rechargeable (please recycle all batteries properly) 10 year Shelf Life (approx. 1% charge degradation per year when properly stored: +50 °F to +86 °F @ less than 70% humidity)	63.00	84.00
KBP-6	AA Alkaline Refillable Battery Pack (6 AA; 9V) cells not included Note: the color of the case is orange	51.38	68.50
KSC-32	Rapid rate single unit charger for KNB-31A/32N/33L/41NC/43L/47L/48L/50NC/54N Note: Includes 110/220V auto-switching AC adapter with U.S.-style line cord plug; requires plug adapter for 220V Euro-style outlets (not supplied).	52.50	70.00
KSC-326K	Rapid rate 6-unit charger for KNB-31A/32N/33L/41NC/43L/47L/48L/50NC/54N	472.50	630.00
KMB-30M	Wall Mount Bracket for KSC-326K/256K	25.31	33.75
KMB-23	Six Unit Charger Adapter for the KSC-16/20/24/25/25L/32 chargers (chargers not included)	143.25	191.00
KVC-15	Rapid rate DC vehicular charger adapter for the KSC-32 (chargers not included; includes KSC-mobile bracket & cigarette lighter cable DC adapter)	89.25	119.00
KVC-18	Vehicular D.C. Charger for 180/5*10 Portables with NiCd or NiMH Battery	334.88	446.50
KVC-20L	Vehicular D.C. Charger for 180/5**0/, NX Portables with Li-ion or Li Polymer Battery	372.75	497.00
CARRYING ACCESSORIES		EPL	LIST
KBH-11	Spring action belt clip (2.5")	11.03	14.70
KBH-8DS	Leather belt loop with D-Ring receptacle and D-Ring stud attachment Notes: cannot use belt clip when installed	19.73	26.30
KLH-6SW	Leather belt loop with D-Ring receptacle and D-Ring stud leather case back Notes: converts leather carry case to swivel	16.50	22.00
KLH-133K2	Heavy duty leather carrying case for TK-5*10 Standard Models	33.19	44.25
KLH-133K3	Heavy duty leather carrying case for TK-5*10 12 Keypad Models	33.19	44.25
KLH-134K2	Cordura Nylon carrying case for TK-5*10 Standard Models	19.73	26.30
KLH-134K3	Cordura Nylon carrying case for TK-5*10 12 Keypad Models	19.73	26.30
KLH-137ST	Firemen's Heavy-Duty Leather Shoulder Strap for a Heavy-Duty Leather Case (KLH-75B/76B/78B/79B//92/122/123/133/148/154)	27.56	36.75

MICROPHONES & AUDIO ACCESSORIES		EPL	LIST
KMC-51M	MIL-SPEC, IP54/55 DSP Digital Noise-canceling Speaker Mic [see note 1]	187.50	250.00
KMC-52W	MIL-SPEC, IP67 (Immersion) DSP Digital Noise-canceling Speaker Mic [see note 1]	225.00	300.00
[note 1]: To adjust microphone settings different from factory default, download KPG-147NC configuration software and special configuration firmware from Kenwood Tools (no charge).			
KMC-41M	MIL-SPEC, IP54/55 Noise-canceling Speaker Mic [Intrinsically Safe Approved Accessory]	72.38	96.50
KMC-42WM	MIL-SPEC, IP67 (Immersion) Noise-canceling Speaker Mic [Intrinsically Safe Approved Accessory]	85.50	114.00
KMC-49	MIL-SPEC, Speaker Mic. with Antenna Connector [Intrinsically Safe Approved Accessory]	187.50	250.00
Note: 5/16" Coax cable hex wrench included (antenna is not included).			
KEP-1	3.5mm earphone kit for KMC-25/26/41M/42WM Speaker Mics [Intrinsically Safe Approved Accessory]	39.38	52.50
KEP-3	30" Earphone kit w/ 2.5mm plug for KCT-30 [Intrinsically Safe Approved Accessory]	38.63	51.50
KEP-4	48" Earphone kit w/ 2.5mm plug for KCT-30 [Intrinsically Safe Approved Accessory]	41.06	54.75
KCT-30	2.5mm Audio Accessory Adapter for KEP-3/4 [Intrinsically Safe Approved Accessory]	48.00	64.00
KCT-51	Hirose 6-pin Adapter (adapts KVL/aftermarket audio acc. to portable connector) [Intrinsically Safe Approved Accessory]	161.25	215.00
KHS-11BE	2-wire palm mic w/earphone, universal connector (Beige) [Intrinsically Safe Approved Accessory]	117.38	156.50
KHS-11BL	2-wire palm mic w/earphone, universal connector (Black) [Intrinsically Safe Approved Accessory]	117.38	156.50
KHS-12BE	3-wire mini lapel mic w/earphone, universal connector (Beige) [Intrinsically Safe Approved Accessory]	138.00	184.00
KHS-12BL	3-wire mini lapel mic w/earphone, universal connector (Black) [Intrinsically Safe Approved Accessory]	138.00	184.00
KHS-14	Lt. Wt. Single muff headset w/boom mic & In-line PTT [Intrinsically Safe Approved Accessory]	94.50	126.00
KHS-15-BH	Hvy-duty noise reduction behind-the-headset w/noise cancelling boom mic & in-line PTT [Intrinsically Safe Approved Accessory]	315.00	420.00
KHS-15-OH	Hvy-duty noise reduction over-the-headset w/noise cancelling boom mic & in-line PTT [Intrinsically Safe Approved Accessory]	276.00	368.00
ENVIRONMENTAL SPEC. OPTIONS		EPL	LIST
KWD-IM10	IP 66/67/68 Immersion Option Kit* Must Order L-987 Note: Initial Installation Kenwood Long Beach Tuning Dept. only. To maintain immersion certification, re-certification is required every 2 years available at Kenwood Authorized Service Centers only. Call an ASC for return procedure (\$315.00 List Price) IP 66 (Dust & Water Jet Intrusion), IP 67 (Immersion in 3.3 ft. (1m) depth @ 30 mins), IP 68 (Immersion in 3.3 ft. (1m) depth @ 2 hours)	276.00	368.00

FIRMWARE OPTIONS		EPL	LIST
KWD-RK20	OTAR Option for KWD-AE20K Encryption Module in TK-5x10 series (OTAR in P25 Conventional & Trunked Modes) <ul style="list-style-type: none"> • Requires KWD-AE20K module. • L-1108 (for portable) & L-1109 (for mobile) Installation (no charge) • L-1733 (for portable) & L-1734 (for mobile) Field Upgrade Option <p>Note:</p> <ul style="list-style-type: none"> • Supports OTAR in P25 Conventional & Trunked modes (Not compatible with GK7 64 CH Model) • Compatible with Motorola KMF P25 OTAR (excludes Motorola-proprietary non-TIA/P25 KMF features) • Requires KPG-95D/DG(N) V7.10 or later for radio programming • TK-5x10 VER2: Requires KPG-95D V5.40 or later for radio programming • TK-5410/5910: Requires KPG-95D V6.00 or later for radio programming • TK-5x10G: Requires KPG-95DG(N) for radio programming • TK-5x10 VER2: Option deletes self-programming, cloning and analog FleetSync® (except PTT ID/Emergency) when installed. <p>KWD-RK20 is an U.S. DOC/BIS Export Controlled Item (ECCN 5D002A) - See IMPORTANT NOTES -</p>	622.50	830.00
SOFTWARE OPTIONS		EPL	LIST
KPG-113AE	AES/DES Encryption Software Key Loader for KWD-DE21K/KWD-AE21K Loads AES & DES keys on capable encryption modules Note: KPG-113AE is a U.S. DOC/BIS Export Controlled Item (ECCN 5D002A) - See IMPORTANT NOTES -	393.75	525.00
KPG-114DE	DES Encryption Software Key Loader for KWD-DE21K/KWD-AE21K Loads DES keys only regardless of encryption module model Note: KPG-114DE is a U.S. DOC/BIS Export Controlled Item (ECCN 5D992A.1) - See IMPORTANT NOTES -	276.00	368.00
OPTION MODULES		EPL	LIST
KCT-48VU	External Vibration Unit [Intrinsically Safe Approved Accessory] Note: Audio accessories cannot be used when this option installed. KCT-48VU does not support the P25 digital mode calling or paging features	36.75	49.00
KCT-57MS	Man-Down Internal Tilt Switch (Non-Mercury) [Intrinsically Safe Approved Accessory] - Must be Kenwood installed for I.S. Order L-1614 for FleetSync®/P25 Emergency operations	16.50	22.00
KWD-AE20K	AES FIPS140-2 & DES Encryption Module for TK-5x10, TK-5x10G & TK-5x20 Portables & Mobiles (except K7 Portable) [KWD-AE20K support] - Advanced Encryption Standard (AES): 256-bit symmetric key algorithm; NIST validated per FIPS140-2 - Data Encryption Standard (DES): 56-bit symmetric key algorithm. - 16 Multi-key List (user-selectable / per Personality programming) - Stores: 1024 keys & 1024 Common Key References (CKR) - Must order KWD-RK20 for OTAR capability [Intrinsically Safe Approved Accessory] - Order L-1236 if installation is required. - KWD-AE20K requires: a Motorola KVL3000/+ & KVL-4000 Key Fill Devices and KMF P25 OTAR (excludes Motorola-proprietary non-TIA/P25 KMF features). F/W VA2.0.3 or later supports the KVL4000. - KWD-AE20K is an U.S. DOC/BIS Export Controlled Item (ECCN 5A002A.1) - See IMPORTANT NOTES -	748.50	998.00
KWD-AE21K	AES & DES Encryption Module for TK-5x10, TK-5x10G & TK-5x20 Portables & Mobiles (except K7 Portable) [KWD-AE20K support] - Advanced Encryption Standard (AES): 256-bit symmetric key algorithm; - Data Encryption Standard (DES): 56-bit symmetric key algorithm. - 16 Multi-key List (user-selectable / per Personality programming) - Stores: 1024 keys & 1024 Common Key References (CKR) [Intrinsically Safe Approved Accessory] - Order L-1237 if installation is required. Note: Requires KPG-113AE software key loader or Motorola KVL3000 Plus key loader device. KWD-AE21K is an U.S. DOC/BIS Export Controlled Item (ECCN 5A002A.1)	748.50	998.00

OPTION MODULES (CONT'D)		EPL	LIST
KWD-DE21K	DES Encryption Module for TK-5x10, TK-5x10G & TK-5x20 Portables & Mobiles [KWD-DE21K support] - Data Encryption Standard (DES): 56-bit symmetric key algorithm - 16 Multi-key List (user-selectable / per Personality programming) - Stores: 1024 keys & 1024 Common Key References (CKR) [Intrinsically Safe Approved Accessory] - Order L-1560 if installation is required Note: Requires KPG-114DE or KPG-113AE software key loader or Motorola KVL3000 Plus key loader device. KWD-DE21K is a U.S. DOC/BIS Export Controlled Item (ECCN 5A992A) - See IMPORTANT NOTES -	433.50	578.00
SERVICE RELATED ACCESSORIES		EPL	LIST
KPG-36UM	USB Programming interface cable	118.88	158.50
KPG-93	KVL-3000/3000 Plus Interface Cable for TK-5x10, TK-5x10G & TK-5x20 Portables	196.88	262.50
KPG-95DGNK	Windows® Programming Software for TK-5x10 & TK-5x10G Portables & Mobiles (Compliant with FCC Part 90 Narrowbanding) Note: Self-programming function is not available. Analog & P25 Conventional Programming A "Dealer-Level" License ID is included with each KPG-95D/DG(N)K which only permits full analog conventional and P25 conventional programming. Data files created with a "Network-Level Licensed" KPG-95D/95DG(N) and containing P25 programmed P25 trunked network parameters can be loaded and viewed with a Dealer-Level Licensed KPG-95D/DG(N)K, but the trunked network parameters cannot be changed. P25 Trunked Programming Capability (licensed by either 1 or 2 below): 1. KPG-95DG(N)K with System Key File (*.SKF)- See L-989 • For all TK-5x10 radio platforms (VER1, 2, 3 or later). • 3-digit HEX System ID (HSID) and verifiable written authorization required from trunked system operator (SYSOP). • Purchase KPG-95DG(N)K & L-989 Network-Level License ID • Kenwood ships an encrypted *.SKF file on CD ROM • The *.SKF securely embeds/encrypts the 16-digit Network Level License ID & the HSID. 2. KPG-95DG(N)K with Advanced Network Keys (ANK's) • For TK-5x10G/5410/5910 VER 3 or later radio platforms only. • SYSOPs: Refer to KWD-ANK-MK Master Key • Dealers/contractors: Refer to KWD-ANK-AK Access Key • KPG-95DG(N)K (V7.0 or later) supports up to 16 KWD-ANK-AK Access Keys (16 trunked networks).	471.00	628.00
KWD-ANK-AK	Access Key for KPG-95DG(N)K P25 trunked programming Notes: • For TK-5x10G/5410/5910 VER 3 or later radio platforms only • Must be activated by a SYSOP with KWD-ANK-MK Master Key. • Must have KPG-95DG(N)K (V7.0 or later); L-989 is NOT required. • Battery Life: 3 years (non-serviceable; key must be replaced)	156.00	208.00
KWD-ANK-MK	Master Key for activating KWD-ANK-AK Access Keys - Restricted Purchase Requirements - Notes: • For TK-5x10G/5410/5910 VER 3 or later radio platforms only. • Sold to SYSOP or SYSOP authorized entities only • Must have KPG-95DG(N)K (V7.0 or later) with L-989 Network-Level License ID • SYSOP must provide 3-digit HEX HSID to Kenwood. • Purchase KWD-ANK-AK Access Keys if needed. • Battery Life: 3 years (non-serviceable; key must be replaced)	375.00	500.00
INSTALLATION / TUNING CHARGES		EPL	LIST
L-961	Assemble KMB-23 with six KSC-32K's (Rapid Rate, 120 Volt version only)	12.75	17.00
L-986	Configure TK-5210-IS/TK-5310-IS/TK-5410-IS for Intrinsically Safe Must order an I.S. battery, KNB-41NC-FM	75.00	100.00
L-987	Immersion Option Certification (Must purchase Immersion Option Kit, KWD-IM10 separately)	N/C	N/C
L-989	KPG-95D/95DG(N) Network Level ID (encrypted data file) Note: Enables Trunked system programming privileges in a KPG-95DG(N)K. - Restricted Purchase Requirements - • 3-Digit HEX System ID (HSID) from SYSOP required • Must Purchase KPG-95DG(N)K (V7.0 or later) with L-989 • Kenwood ships an encrypted *.SKF file on CD ROM • Non-SYSOP entities ordering L-989 must provide verifiable written authorization from SYSOP to receive an *.SKF file. • The 16-digit Network Level License ID & 3-digit HEX HSID are securely encrypted & embedded in the *.SKF file.	99.00	132.00

INSTALLATION / TUNING CHARGES CONT'D		EPL	LIST
L-990	TK-5*10 Programming (Basic TX/RX check only with factory test freq.s or dealer/customer provided KPG-95D/DG(N) data file)	93.75	125.00
L-1236	Install KWD-AE20K in TK-5*10 Portables (Must purchase module separately)	56.25	75.00
L-1237	Install KWD-AE21K in TK-5*10 Portables (Must purchase module separately)	56.25	75.00
L-1560	Install KWD-DE21K in TK-5*10 Portables (Must purchase module separately)	56.25	75.00
L-1614	5*10 Portable KCT-57MS Installation (for P25)	15.00	20.00
L-1733	KWD-RK20 Field Upgrade Option for TK-5x10G & 5410 (Must purchase KWD-RK20 separately)	31.50	42.00

-- IMPORTANT NOTES --

Encryption modules, key loaders and radios containing encryption are export controlled by the U.S. Department of Commerce Bureau of Industry & Security EAR regulations and may either require an Export License, are eligible for a License Exception (ENC) or are exportable with No License Required (NLR) depending on the country, the consignee and the intended use. High level encryption is a special commodity that may require an export license to most countries. See www.bis.gov for more information regarding export regulations. DO NOT SHIP encryption items outside the U.S. without proper DOC/BIS Export Licenses and/or compliances.

Kenwood may request the following information to be submitted at time of order (this information must meet Kenwood internal approvals prior to shipment even if being returned to Kenwood later:

a) Initial Destination: Initial delivery point if different from Ultimate Destination (customer distribution center, headquarters, dealership, manufacturer's representative)

* Business/Agency Name:

* Address:

* Contact Person Name:

* Contact Phone:

b) Ultimate Destination: Final delivery point(s); deployment/distribution

* Business/Agency Name:

* Address:

* Contact Person Name:

* Contact Phone:

c) Intended Use of Radios: Law enforcement, security, operations, etc.

KWD-AE20 AES FIPS140-2 SCM , NIST Validation & Customer Shipping

A secure delivery method direct to the end user customer is required by the NIST AES FIPS 140-2 validation rules. For U.S. Federal Government entities the SCM must ship from Kenwood USA Corporation directly to the end user customer by a trusted carrier (FEDEX, UPS or a designated Kenwood USA Corporation employee); shipping/handling by a dealer or other entity is not acceptable. This may or may not be required by local/state government agencies or business/industrial users. Please check with the end use customer about their AES encryption handling requirements before ordering. Kenwood will not be responsible for shipments of KWD-AE20K modules to erroneous destinations specified on an order.

TK-5410D

700/800 MHz FM Analog & P25 Digital Portable Radio



All 5410D series portables include:

- Belt Clip (KBH-11)
- Universal Connector Cap
- Instruction Manual
- Premium Warranty: 3 Years*

* All Accessories / options: 1 Year

Order packages to include Battery, Charger & Antenna, or purchase Battery, Charger, and Antenna separately.

<p>Standard Model 16-Character Alphanumeric LCD 4 control keys</p> <p>12 Keypad Model 16-Character Alphanumeric LCD 4 control keys DTMF/Function keypad</p>

GENERAL FEATURES

- 3 Watt
- 100 Zones / 1024 Channels
- 12-Key Keypad Model
- Personality Lists
- Backlit Dot Matrix LCD
- 16 Character Alphanumeric Aliases
- 3-Digit Sub-Display
- Function / Status LCD Icons
- RSSI Indicator
- Transmit / Busy / Call Alert / Warn LED
- On/Off Volume Knob
- 16-Position Selector Knob
- 2-Position PF Lever Switch
- 3-Position PF Concentric Switch
- 4 Front Menu-Driven PF Keys
- 3 Side PF Keys
- Orange Emergency / AUX Key
- Zone / Ch Voice Announcement
- VOX Ready
- Emergency Features
- Battery Level
- Transceiver Password
- Date & 12/24 Hour Time Clock
- KPG-95DG/DGN Windows® FPU
- Flash Firmware Upgrading
- VGS-1 Voice Guide & Storage
- Weather-Sealed Accessory Connector
- MIL-STD-810 C/D/E/F/G
- IP54/55/66 Water & Dust Intrusion
- IP67/68 Immersion

P25 DIGITAL

- P25 Conventional
- P25 Phase 1 Trunking
- P25 Phase 2 Trunking
- AMBE+2™ Enhanced VOCODER
- Talk Group ID Lists
- Individual ID Lists
- Caller ID Display
- Remote Monitor / Check, Radio Inhibit
- Encryption Key Zeroize & Retention
- DES Encryption Module Option
- AES & DES Encryption Module Option
- P25 GPS Location
- P25 OTAR Option

SCAN TYPES (FM & P25)

- Single Zone/Multi-Zone Scan
- Scan Lists
- Conventional Scan
- Limited Talk Group Scan
- Priority Monitor Scan
- Dual Priority Scan

FM

- QT / DQT
- Operator Selectable Tone
- DTMF Encode
- Companded Audio
- NPSPAC Channels

PACKAGES	MSWIN Compatible P25 Phase 2 TDMA Radio	EPL	LIST
TK-5410DK2-NKP	NiMH Battery Package (TK-5410DK2 + KNB-54N + KSC-32 + KBH-11+KRA-32K)	1,770.00	2,360.00
TK-5410DK2-LKP	Li-Polymer Package (TK-5410DK2 + KNB-43L + KSC-32 + KBH-11+KRA-32K)	1,826.25	2,435.00
TK-5410DK3-NKP	NiMH Battery Package (TK-5410DK3 + KNB-54N + KSC-32 + KBH-11+KRA-32K)	1,886.25	2,515.00
TK-5410DK3-LKP	Li-Polymer Package (TK-5410DK3 + KNB-43L + KSC-32 + KBH-11+KRA-32K)	1,942.50	2,590.00

Programming Cost: \$75.00 Installation Cost: N/A

RADIO		EPL	LIST
TK-5410DK2	700/800 MHz 3W, 1024 CH, Standard Model	1,650.00	2,200.00
TK-5410DK3	700/800 MHz 3W, 1024 CH, 12 Keypad Model	1,768.75	2,358.33

Programming Cost: \$75.00 Installation Cost: N/A

RADIO (Special Color Housing)		EPL	LIST
TK-5410DK2-YH	700/800 MHz 3W, 1024 CH, Standard Model (w/ Yellow Housing) [see note 1]	1,743.75	2,325.00
TK-5410DK2-OH	700/800 MHz 3W, 1024 CH, 12 Keypad Model (w/ Orange Housing) [see note 1]	1,395.00	2,325.00

[Note 1]: These models are stocked in minimum quantities. Please anticipate a minimum 90-day lead time. Contact the order desk to verify availability.

Programming Cost: \$75.00 Installation Cost: N/A

ANTENNAS		EPL	LIST
KRA-32K	700/800 MHz Whip Antenna	26.25	35.00
KRA-36	700/800 MHz Stubby Antenna	18.75	25.00
BATTERIES AND CHARGERS		EPL	LIST
KBP-6	AA Alkaline Refillable Battery Pack (6 AA; 9V) cells not included Note: the color of the case is orange	51.38	68.50
KMB-23	Six Unit Charger Adapter for the KSC-16/20/24/25/25L/32 chargers (chargers not included)	143.25	191.00
KMB-30M	Wall Mount Bracket for KSC-326K/256K	25.31	33.75
KNB-33L	2000 mAh, Li-ion battery - requires KSC-32/326K charger	78.75	105.00
KNB-43L	3300 mAh, Li-Polymer battery - requires KSC-32/326K charger	122.25	163.00
KNB-49PL	4500 mAh, Primary Lithium battery Note: Non-Rechargeable (please recycle all batteries properly) 10 year Shelf Life (approx. 1% charge degradation per year when properly stored: +50 °F to +86 °F @ less than 70% humidity)	63.00	84.00
KNB-54N	2500 mAh, Ni-MH battery - requires KSC-32/326K charger [Immersion Option compatible]	65.63	87.50
Programming Cost: \$50.00 Installation: N/A			
KSC-32	Rapid rate single unit charger for KNB-31A/32N/33L/41NC/43L/47L/48L/50NC/54N Note: Includes 110/220V auto-switching AC adapter with U.S.-style line cord plug; requires plug adapter for 220V Euro-style outlets (not supplied).	52.50	70.00
KSC-326K	Rapid rate 6-unit charger for KNB-31A/32N/33L/41NC/43L/47L/48L/50NC/54N	472.50	630.00
KVC-15	Rapid rate DC vehicular charger adapter for the KSC-32 (chargers not included; includes KSC-mobile bracket & cigarette lighter cable DC adapter)	89.25	119.00
KVC-18	Vehicular D.C. Charger for 180/5*10 Portables with NiCd or NiMH Battery	334.88	446.50
KVC-20L	Vehicular D.C. Charger for 180/5**0/, NX Portables with Li-ion or Li Polymer Battery	372.75	497.00
CARRYING ACCESSORIES		EPL	LIST
KBH-11	Spring action belt clip (2.5")	11.03	14.70
KBH-8DS	Leather belt loop with D-Ring receptacle and D-Ring stud attachment Notes: cannot use belt clip when installed	19.73	26.30
KLH-133K2	Heavy duty leather carrying case for TK-5*10 Standard Models	33.19	44.25
KLH-133K3	Heavy duty leather carrying case for TK-5*10 12 Keypad Models	33.19	44.25
KLH-134K2	Cordura Nylon carrying case for TK-5*10 Standard Models	19.73	26.30
KLH-134K3	Cordura Nylon carrying case for TK-5*10 12 Keypad Models	19.73	26.30
KLH-137ST	Firemen's Heavy-Duty Leather Shoulder Strap for a Heavy-Duty Leather Case (KLH-75B/76B/78B/79B//92/122/123/133/148/154)	27.56	36.75
KLH-6SW	Leather belt loop with D-Ring receptacle and D-Ring stud leather case back Notes: converts leather carry case to swivel	16.50	22.00
MICROPHONES & AUDIO ACCESSORIES (For FDMA & TDMA Operations)		EPL	LIST
KMC-42WD	MIL-SPEC, IP67 (Immersion) Noise-canceling Speaker Mic (Jan 2014 Release)	85.50	114.00
KMC-47GPSD	GPS Speaker Microphone (Feb 2014 Release)	217.50	290.00
KMC-51D	MIL-SPEC, IP54/55 DSP Digital Noise-canceling Speaker Mic [see note 1] (Jan 2014 Release)	187.50	250.00
KMC-52WD	MIL-SPEC, IP67 (Immersion) DSP Digital Noise-canceling Speaker Mic [see note 1] (Jan 2014 Release)	225.00	300.00

MICROPHONES & AUDIO ACCESSORIES (For FDMA Operations)		EPL	LIST
KCT-30	2.5mm Audio Accessory Adapter for KEP-3/4	48.00	64.00
KCT-51	Hirose 6-pin Adapter (adapts KVL/aftermarket audio acc. to portable connector)	161.25	215.00
KEP-1	3.5mm earphone kit for KMC-25/26/41M/42WM Speaker Mics	39.38	52.50
KEP-3	30" Earphone kit w/ 2.5mm plug for KCT-30	38.63	51.50
KEP-4	48" Earphone kit w/ 2.5mm plug for KCT-30	41.06	54.75
KHS-11BE	2-wire palm mic w/earphone, universal connector (Beige)	117.38	156.50
KHS-11BL	2-wire palm mic w/earphone, universal connector (Black)	117.38	156.50
KHS-12BE	3-wire mini lapel mic w/earphone, universal connector (Beige)	138.00	184.00
KHS-12BL	3-wire mini lapel mic w/earphone, universal connector (Black)	138.00	184.00
KHS-14	Lt. Wt. Single muff headset w/boom mic & In-line PTT	94.50	126.00
KHS-15-BH	Hvy-duty noise reduction behind-the-headset w/noise cancelling boom mic & in-line PTT	315.00	420.00
KHS-15-OH	Hvy-duty noise reduction over-the-headset w/noise cancelling boom mic & in-line PTT	276.00	368.00
KMC-41M	MIL-SPEC, IP54/55 Noise-canceling Speaker Mic	72.38	96.50
KMC-42WM	MIL-SPEC, IP67 (Immersion) Noise-canceling Speaker Mic	85.50	114.00
KMC-49	MIL-SPEC, Speaker Mic. with Antenna Connector Note: 5/16" Coax cable hex wrench included (antenna is not included).	187.50	250.00
KMC-51M	MIL-SPEC, IP54/55 DSP Digital Noise-canceling Speaker Mic [see note 1]	187.50	250.00
KMC-52W	MIL-SPEC, IP67 (Immersion) DSP Digital Noise-canceling Speaker Mic [see note 1]	225.00	300.00

[note 1]: To adjust microphone settings different from factory default, download KPG-147NC configuration software and special configuration firmware from Kenwood Tools (no charge).

FIRMWARE OPTIONS		EPL	LIST
KWD-RK20	OTAR Option for KWD-AE20K Encryption Module in TK-5x10 series (OTAR in P25 Conventional & Trunked Modes) <ul style="list-style-type: none"> • Requires KWD-AE20K module. • L-1108 Installation (no charge) • L-1733 Field Upgrade Option <p>Note:</p> <ul style="list-style-type: none"> • Supports OTAR in P25 Conventional & Trunked modes • Compatible with Motorola KMF P25 OTAR (excludes Motorola-proprietary non-TIA/P25 KMF features) • Requires KPG-95DG(N) V8.00 or later for radio programming <p>KWD-RK20 is an U.S. DOC/BIS Export Controlled Item (ECCN 5D002A) - See IMPORTANT NOTES -</p>	622.50	830.00

SOFTWARE OPTIONS		EPL	LIST
KPG-113AE	AES/DES Encryption Software Key Loader for KWD-DE21K/KWD-AE21K Loads AES & DES keys on capable encryption modules Note: KPG-113AE is a U.S. DOC/BIS Export Controlled Item (ECCN 5D002A) - See IMPORTANT NOTES -	393.75	525.00
KPG-114DE	DES Encryption Software Key Loader for KWD-DE21K/KWD-AE21K Loads DES keys only regardless of encryption module model Note: KPG-114DE is a U.S. DOC/BIS Export Controlled Item (ECCN 5D992A.1) - See IMPORTANT NOTES -	276.00	368.00

OPTION MODULES		EPL	LIST
KCT-48VU	External Vibration Unit Note: Audio accessories cannot be used when this option installed. KCT-48VU does not support the P25 digital mode calling or paging features	36.75	49.00
KCT-57MS	Man-Down Internal Tilt Switch (Non-Mercury) Must be Kenwood installed for I.S. Order L-1614 for P25 Emergency operations	16.50	22.00
KWD-AE20K	AES FIPS140-2 & DES Encryption Module [KWD-AE20K support] - Advanced Encryption Standard (AES): 256-bit symmetric key algorithm; NIST validated per FIPS140-2 - Data Encryption Standard (DES): 56-bit symmetric key algorithm. - 16 Multi-key List (user-selectable / per Personality programming) - Stores: 1024 keys & 1024 Common Key References (CKR) - Must order KWD-RK20 for OTAR capability - Order L-1236 if installation is required. - KWD-AE20K requires: a Motorola KVL3000/+ & KVL-4000 Key Fill Devices and KMF P25 OTAR (excludes Motorola-proprietary non-TIA/P25 KMF features). F/W VA2.0.3 or later supports the KVL4000. - KWD-AE20K is a U.S. DOC/BIS Export Controlled Item (ECCN 5A002A.1) - See IMPORTANT NOTES -	748.50	998.00
KWD-AE21K	AES & DES Encryption Module [KWD-AE20K support] - Advanced Encryption Standard (AES): 256-bit symmetric key algorithm; - Data Encryption Standard (DES): 56-bit symmetric key algorithm. - 16 Multi-key List (user-selectable / per Personality programming) - Stores: 1024 keys & 1024 Common Key References (CKR) - Order L-1237 if installation is required. Note: Requires KPG-113AE software key loader or Motorola KVL3000 Plus key loader device. KWD-AE21K is a U.S. DOC/BIS Export Controlled Item (ECCN 5A002A.1) - See IMPORTANT NOTES -	748.50	998.00
KWD-DE21K	DES Encryption Module - Data Encryption Standard (DES): 56-bit symmetric key algorithm - 16 Multi-key List (user-selectable / per Personality programming) - Stores: 1024 keys & 1024 Common Key References (CKR) - Order L-1560 if installation is required Note: Requires KPG-114DE or KPG-113AE software key loader or Motorola KVL3000 Plus key loader device. KWD-DE21K is a U.S. DOC/BIS Export Controlled Item (ECCN 5A992A) - See IMPORTANT NOTES -	433.50	578.00
SERVICE RELATED ACCESSORIES		EPL	LIST
KPG-36UM	USB Programming interface cable	118.88	158.50
KPG-93	KVL-3000/3000 Plus Interface Cable	196.88	262.50

KPG-95DGNK	<p>Windows® Programming Software (Compliant with FCC Part 90 Narrowbanding) Note: Self-programming function is not available.</p> <p><u>Analog & P25 Conventional Programming</u> A "Dealer-Level" License ID is included with each KPG-95D/DG(N)K which only permits full analog conventional and P25 conventional programming. Data files created with a "Network-Level Licensed" KPG-95D/95DG(N) and containing P25 programmed P25 trunked network parameters can be loaded and viewed with a Dealer-Level Licensed KPG-95D/DG(N)K, but the trunked network parameters cannot be changed.</p> <p><u>P25 Phase 2 Trunked Programming</u> • Order (L-1744) if P25 Phase 2 trunked programming is required.</p> <p><u>P25 Trunked Programming Capability (licensed by either 1 or 2 below):</u> 1. KPG-95DG(N)K with System Key File (*.SKF)- See L-989 • For all TK-5x10 radio platforms (VER1, 2, 3 or later). • 3-digit HEX System ID (HSID) and verifiable written authorization required from trunked system operator (SYSOP). • Purchase KPG-95DG(N)K & L-989 Network-Level License ID • Kenwood ships an encrypted *.SKF file on CD ROM • The *.SKF securely embeds/encrypts the 16-digit Network Level License ID & the HSID. 2. KPG-95DG(N)K with Advanced Network Keys (ANK's) • For TK-5x10G/5410/5910 VER 3 or later radio platforms only. • SYSOPs: Refer to KWD-ANK-MK Master Key • Dealers/contractors: Refer to KWD-ANK-AK Access Key • KPG-95DG(N)K (V7.0 or later) supports up to 16 KWD-ANK-AK Access Keys (16 trunked networks).</p>	471.00	628.00
------------	--	--------	--------

SERVICE RELATED ACCESSORIES - CONT'D		EPL	LIST
KWD-ANK-AK	Access Key for KPG-95DG(N)K P25 trunked programming Notes: • For TK-5x10G/5410(D)/5910 VER 3 or later radio platforms only • Must be activated by a SYSOP with KWD-ANK-MK Master Key. • Must have KPG-95DGNK (V7.0 or later); L-989 is NOT required. • Battery Life: 3 years (non-serviceable; key must be replaced)	156.00	208.00
KWD-ANK-MK	Master Key for activating KWD-ANK-AK Access Keys - Restricted Purchase Requirements - Notes: • For TK-5x10G/5410(D)/5910 VER 3 or later radio platforms only. • Sold to SYSOP or SYSOP authorized entities only • Must have KPG-95DGNK (V7.0 or later) with L-989 Network-Level License ID • SYSOP must provide 3-digit HEX HSID to Kenwood. • Purchase KWD-ANK-AK Access Keys if needed. • Battery Life: 3 years (non-serviceable; key must be replaced)	375.00	500.00
INSTALLATION / TUNING CHARGES		EPL	LIST
L-961	Assemble KMB-23 with six KSC-32K's (Rapid Rate, 120 Volt version only)	12.75	17.00
L-989	KPG-95D/95DG(N) Network Level ID (encrypted data file) Note: Enables Trunked system programming privileges in a KPG-95DG(N)K. - Restricted Purchase Requirements - • 3-Digit HEX System ID (HSID) from SYSOP required • Must Purchase KPG-95DG(N)K (V7.0 or later) with L-989 • Kenwood ships an encrypted *.SKF file on CD ROM • Non-SYSOP entities ordering L-989 must provide verifiable written authorization from SYSOP to receive an *.SKF file. • The 16-digit Network Level License ID & 3-digit HEX HSID are securely encrypted & embedded in the *.SKF file.	99.00	132.00
L-990	TK-5*10D Programming (Basic TX/RX check only with factory test freq.s or dealer/customer provided KPG-95D/DG(N) data file)	93.75	125.00
L-1236	Install KWD-AE20K in TK-5*10 Portables (Must purchase module separately)	56.25	75.00
L-1237	Install KWD-AE21K in TK-5*10 Portables (Must purchase module separately)	56.25	75.00
L-1560	Install KWD-DE21K in TK-5*10 Portables (Must purchase module separately)	56.25	75.00
L-1614	5*10 Portable KCT-57MS Installation (for P25)	15.00	20.00
L-1733	KWD-RK20 Field Upgrade Option (Must purchase KWD-RK20 separately)	31.50	42.00
L-1774	P25 Phase 2 Trunked Programming Software (Must purchase KPG-95DGNK separately)	N/C	N/C

-- IMPORTANT NOTES --**IP66/67/68 IMMERSION re-certification**

To maintain immersion certification, re-certification is required every 2 years available at Kenwood Authorized Service Centers only. Call an ASC for return procedure (\$315.00 List Price)

IP 66 (Dust & Water Jet Intrusion), IP 67 (Immersion in 3.3 ft. (1m) depth @ 30 mins),

IP 68 (Immersion in 3.3 ft. (1m) depth @ 2 hours)

Encryption modules, key loaders and radios containing encryption are export controlled by the U.S. Department of Commerce Bureau of Industry & Security EAR regulations and may either require an Export License, are eligible for a License Exception (ENC) or are exportable with No License Required (NLR) depending on the country, the consignee and the intended use. High level encryption is a special commodity that may require an export license to most countries. See www.bis.gov for more information regarding export regulations. DO NOT SHIP encryption items outside the U.S. without proper DOC/BIS Export Licenses and/or compliances.

Kenwood may request the following information to be submitted at time of order (this information must meet Kenwood internal approvals prior to shipment even if being returned to Kenwood later:

a) Initial Destination: Initial delivery point if different from Ultimate Destination (customer distribution center, headquarters, dealership, manufacturer's representative)

* Business/Agency Name:

* Address:

* Contact Person Name:

* Contact Phone:

b) Ultimate Destination: Final delivery point(s); deployment/distribution

* Business/Agency Name:

* Address:

* Contact Person Name:

* Contact Phone:

c) Intended Use of Radios: Law enforcement, security, operations, etc.

KWD-AE20 AES FIPS140-2 SCM , NIST Validation & Customer Shipping

A secure delivery method direct to the end user customer is required by the NIST AES FIPS 140-2 validation rules. For U.S. Federal Government entities the SCM must ship from Kenwood USA Corporation directly to the end user customer by a trusted carrier (FEDEX, UPS or a designated Kenwood USA Corporation employee); shipping/handling by a dealer or other entity is not acceptable. This may or may not be required by local/state government agencies or business/industrial users. Please check with the end use customer about their AES encryption handling requirements before ordering. Kenwood will not be responsible for shipments of KWD-AE20K modules to erroneous destinations specified on an order.

TK-5220/5320

VHF/UHF FM Analog & P25 Digital Portable Radios



All 5X20 series portables include:

- Belt Clip (KBH-11)
- Universal Connector Cap
- Instruction Manual
- Premium Warranty: 3 Years*

* All Accessories / options: 1 Year

Order packages to include Battery & Charger, or purchase Battery, Charger, and Antenna separately.

GENERAL FEATURES

- 5 Watt (136-174 MHz)
- 5 Watt (400-470, 450-520, 380-400 MHz)
- 128 Zones / 512 Channels
- Backlit Dot Matrix LCD
- 14 Character Alphanumeric Aliases
- 3-Digit Sub-Display
- Function / Status LCD Icons
- RSSI Indicator
- Transmit / Busy / Call Alert / Warn LED
- On/Off Volume Knob
- 16-Position Selector Knob
- 4 Front Menu-Driven PF Keys
- 2 Side PF Keys
- Orange Emergency / AUX Key
- 12-Keypad Models
- VOX Ready
- Emergency Features
- Battery Level
- Transceiver Password
- Date & 12/24 Hour Time Clock
- Windows® Programming & Tuning
- Windows® Firmware Uploading
- Easy Option Port
- Voice Guide & Storage (option)
- Weather-Sealed Accessory Connector
- MIL-STD-810 C/D/E/F/G
- IP54/55 Water & Dust Protection
- Immersion (IP67) Option
- Intrinsically Safe Option **

P25 DIGITAL

- P25 Digital Conventional
- AMBE+2™ Enhanced VOCODER
- Talk Group ID Lists
- Individual ID Lists
- Caller ID Display
- Remote Monitor / Check, Radio Inhibit
- Encryption Key Zeroize and Retention
- DES Encryption Options
- AES & DES Encryption Options
- KPG-93 KVL Key Loader Interface Cable
- P25 Digital Trunking Option

SCAN TYPES (FM & P25)

- Single Zone/Multi-Zone Scan
- Scan Lists
- Conventional Scan
- Limited Talk Group Scan
- Priority Monitor Scan
- Dual Priority Scan

ANALOG

- QT / DQT
- Operator Selectable Tone
- Two-Tone Decode / Encode
- DTMF Encode / Decode / Stun
- Special Alert Tone Patterns
- Encryption / ANI Board Control
- Companded Audio

FleetSync® /II (FM)

- PTT ID Digital ANI
- Caller ID Display
- Status Messaging
- Emergency & Stun Statuses
- Selective & Group Call
- Text Messaging
- Send/Display GPS (KPG-47GPS)

MDC-1200

- PTT ID Digital ANI
- Caller ID Display
- Emergency Status
- Radio Check
- Radio Inhibit

** Approved for Classes I, II & III, Div. 1, Groups C, D, E, F, G and are also approved for non-Incendive use in Class I, Div. 2, Groups A, B, C, D hazardous locations.
Note: Class I, Div 2 Group A & B Gases require use of a portable carrying case.
TK-5320K5 & K6 (380-400MHz) are NOT approved by FM as Intrinsically Safe

PACKAGES		EPL	LIST
TK-5220K-LKP	VHF Li-Ion Battery Package (TK-5220K + KNB-47L + KSC-32 + KBH-11)	806.25	1,075.00
TK-5220K-LHKP	VHF Hi Cap Li-Ion Battery Package (TK-5220K + KNB-48L + KSC-32 + KBH-11)	819.38	1,092.50
TK-5320K-LKP	UHF Li-Ion Battery Package (TK-5320K + KNB-47L + KSC-32 + KBH-11)	806.25	1,075.00
TK-5320K-LHKP	UHF Hi Cap Li-Ion Battery Package (TK-5320K + KNB-48L + KSC-32 + KBH-11)	819.38	1,092.50
TK-5320K2-LKP	UHF Li-Ion Battery Package (TK-5320K2 + KNB-47L + KSC-32 + KBH-11)	806.25	1,075.00
TK-5320K2-LHKP	UHF Hi Cap Li-Ion Battery Package (TK-5320K2 + KNB-48L + KSC-32 + KBH-11)	819.38	1,092.50

Programming Cost: \$75.00 Installation Cost: N/A

RADIO		EPL	LIST
TK-5220K	136-174MHz 5W, 14 characters Alphanumeric LCD, 6 Control Keys	675.00	900.00
TK-5220K2	136-174MHz 5W, 14 characters Alphanumeric LCD, Full Keypad	712.50	950.00
TK-5320K	450-520MHz 5W, 14 characters Alphanumeric LCD, 6 Control Keys	675.00	900.00
TK-5320K2	400-470MHz 5W, 14 characters Alphanumeric LCD, 6 Control Keys	675.00	900.00
TK-5320K3	450-520MHz 5W, 14 characters Alphanumeric LCD, Full Keypad	712.50	950.00
TK-5320K4	400-470MHz 5W, 14 characters Alphanumeric LCD, Full Keypad	712.50	950.00
TK-5320K5	380-400MHz 5W, 14 characters Alphanumeric LCD, 6 Control Keys [For U.S. Federal Government & Export Sales Only]	675.00	900.00
TK-5320K6	380-400MHz 5W, 14 characters Alphanumeric LCD, Full Keypad [For U.S. Federal Government & Export Sales Only]	712.50	950.00

IP67 (Immersion) Package Models

TK-5220-WK	136-174MHz 5W, 14 characters Alphanumeric LCD, 6 Control Keys [see note 1]	813.00	1,084.00
TK-5220-WK2	136-174MHz 5W, 14 characters Alphanumeric LCD, Full Keypad [see note 1]	850.50	1,134.00
TK-5320-WK	450-520MHz 5W, 14 characters Alphanumeric LCD, 6 Control Keys [see note 1]	813.00	1,084.00
TK-5320-WK2	400-470MHz 5W, 14 characters Alphanumeric LCD, 6 Control Keys [see note 1]	813.00	1,084.00
TK-5320-WK3	450-520MHz 5W, 14 characters Alphanumeric LCD, Full Keypad [see note 1]	850.50	1,134.00
TK-5320-WK4	400-470MHz 5W, 14 characters Alphanumeric LCD, Full Keypad [see note 1]	850.50	1,134.00
TK-5320-WK5	380-400MHz 5W, 14 characters Alphanumeric LCD, 6 Control Keys [see note 1]	813.00	1,084.00
TK-5320-WK6	380-400MHz 5W, 14 characters Alphanumeric LCD, Full Keypad [see note 1]	850.50	1,134.00

IP67 Custom Color Radio Housing

TK-5220-WK-YH	TK-5220-WK with Yellow Housing Option Installed [see note 1]	862.50	1,150.00
TK-5220-WK-OH	TK-5220-WK with Orange Housing Option Installed [see note 1]	862.50	1,150.00
TK-5320-WK-YH	TK-5320-WK with Yellow Housing Option Installed [see note 1]	862.50	1,150.00
TK-5320-WK-OH	TK-5320-WK with Orange Housing Option Installed [see note 1]	862.50	1,150.00
TK-5320-WK2-YH	TK-5320-WK2 with Yellow Housing Option Installed [see note 1]	862.50	1,150.00
TK-5320-WK2-OH	TK-5320-WK2 with Orange Housing Option Installed [see note 1]	862.50	1,150.00
TK-5320-WK5-YH	TK-5320-WK5 with Yellow Housing Option Installed [see note 1]	862.50	1,150.00
TK-5320-WK5-OH	TK-5320-WK5 with Orange Housing Option Installed [see note 1]	862.50	1,150.00

FACTORY MUTUAL (FM) APPROVED MODELS

		EPL	LIST
	Must Order L-1647 & an Intrinsically Safe Battery per radio		
TK-5220-ISK	136-174MHz 5W, 14 characters Alphanumeric LCD, 6 Control Keys	675.00	900.00
TK-5220-ISK2	136-174MHz 5W, 14 characters Alphanumeric LCD, Full Keypad	712.50	950.00
TK-5320-ISK	450-520MHz 5W, 14 characters Alphanumeric LCD, 6 Control Keys	675.00	900.00
TK-5320-ISK2	400-470MHz 5W, 14 characters Alphanumeric LCD, 6 Control Keys	675.00	900.00
TK-5320-ISK3	450-520MHz 5W, 14 characters Alphanumeric LCD, Full Keypad	712.50	950.00
TK-5320-ISK4	400-470MHz 5W, 14 characters Alphanumeric LCD, Full Keypad	675.00	950.00

IP67 (Immersion) Package Models

TK-5220-ISWK	136-174MHz 5W, 14 characters Alphanumeric LCD, 6 Control Keys [see note 1]	813.00	1,084.00
TK-5220-ISWK2	136-174MHz 5W, 14 characters Alphanumeric LCD, Full Keypad [see note 1]	850.50	1,134.00
TK-5320-ISWK	450-520MHz 5W, 14 characters Alphanumeric LCD, 6 Control Keys [see note 1]	813.00	1,084.00
TK-5320-ISWK2	400-470MHz 5W, 14 characters Alphanumeric LCD, 6 Control Keys [see note 1]	813.00	1,084.00
TK-5320-ISWK3	450-520MHz 5W, 14 characters Alphanumeric LCD, Full Keypad [see note 1]	850.50	1,134.00
TK-5320-ISWK4	400-470MHz 5W, 14 characters Alphanumeric LCD, Full Keypad [see note 1]	850.50	1,134.00

IP67 Custom Color Radio Housing

TK-5220-ISWKYH	TK-5220-ISWK with Yellow Housing Option Installed [see note 1]	862.50	1,150.00
TK-5220-ISWKOH	TK-5220-ISWK with Orange Housing Option Installed [see note 1]	862.50	1,150.00
TK-5320-ISWKYH	TK-5320-ISWK with Yellow Housing Option Installed [see note 1]	862.50	1,150.00
TK-5320-ISWKOH	TK-5320-ISWK with Orange Housing Option Installed [see note 1]	862.50	1,150.00
TK-5320-ISWK2YH	TK-5320-ISWK2 with Yellow Housing Option Installed [see note 1]	862.50	1,150.00
TK-5320-ISWK2OH	TK-5320-ISWK2 with Orange Housing Option Installed [see note 1]	862.50	1,150.00

[note 1]: these models are stocked in minimum quantities. Please anticipate a minimum 45-90 day lead time and call order desk to verify availability. Service must be performed at one of the 3 Kenwood National Service Centers to maintain certification up to 3 years of Product's Limited Warranty period.

Programming Cost: \$75.00 Installation: N/A

ANTENNAS		EPL	LIST
KRA-22M	VHF low-profile helical antenna 148-162 MHz	10.28	13.70
KRA-22M2	VHF low-profile helical antenna 162-174 MHz	10.28	13.70
KRA-22M3	VHF Low-profile helical antenna 136-150 MHz	10.28	13.70
KRA-23M	UHF low-profile helical antenna 450-490 MHz	10.28	13.70
KRA-23M2	UHF low-profile helical antenna 470-512 MHz	10.28	13.70
KRA-23M3	UHF low-profile helical antenna 403-430 MHz	10.28	13.70
KRA-25	High gain VHF helically loaded whip antenna 148-162 MHz	25.69	34.25
KRA-26M	VHF helical antenna 146-162 MHz	10.50	14.00
KRA-26M2	VHF helical antenna 162-174 MHz	10.50	14.00
KRA-26M3	VHF helical antenna 136-150 MHz	10.50	14.00
KRA-27M	UHF whip antenna 440-490 MHz	10.50	14.00
KRA-27M2	UHF whip antenna 470-520 MHz	10.50	14.00
KRA-27M3	UHF whip antenna 400-450 MHz	10.50	14.00
KRA-28	Broad-band VHF helically loaded whip antenna 140-170 MHz	31.50	42.00
KRA-29	Broad Band UHF Whip Antenna 380-430 MHz	27.56	36.75
BATTERIES AND CHARGERS		EPL	LIST
KNB-47L	1950 mAh, Li-ion battery - requires KSC-32/326K charger [Immersion Option compatible]	78.75	105.00
KNB-48L	2550 mAh, Li-ion battery - requires KSC-32/326K charger [Immersion Option compatible]	91.88	122.50
KNB-50NC	2000 mAh, Ni-MH battery - requires KSC-32/326K charger [Intrinsically Safe Option] [Immersion Option compatible]	118.13	157.50
KBP-7	AA Alkaline Refillable Battery Pack (6 AA; 9V) cells not included Note: the color of the case is orange	51.38	68.50
KSC-32	Rapid rate single unit charger for KNB-31A/32N/33L/41NC/43L/47L/48L/50NC Note: Includes 110/220V auto-switching AC adapter with U.S.-style line cord plug; requires plug adapter for 220V Euro-style outlets (not supplied).	52.50	70.00
KSC-326K	Rapid rate 6-unit charger for KNB-31A/32N/33L/41NC/43L/47L/48L/50NC	472.50	630.00
KMB-30M	Wall Mount Bracket for KSC-326K/256K	25.31	33.75
KMB-23	Six Unit Charger Adapter for the KSC-16/20/24/25/25L/32 chargers (chargers not included)	143.25	191.00
KVC-15	Rapid rate DC vehicular charger adapter for the KSC-32 (chargers not included; includes KSC-mobile bracket & cigarette lighter cable DC adapter)	89.25	119.00
KVC-20L	Vehicular D.C. Charger for 180/5**0/, NX Portables with Li-ion or Li Polymer Battery	372.75	497.00
CARRYING ACCESSORIES		EPL	LIST
KBH-11	Spring action belt clip (2.5")	11.03	14.70
KBH-8DS	Leather swivel belt loop with portable D-Ring attachment	19.73	26.30
KLH-6SW	Leather swivel belt loop / detachable swivel D-Ring back	16.50	22.00
KLH-137ST	Firemen's Heavy-Duty Leather Shoulder Strap for a Heavy-Duty Leather Case (KLH-75B/76B/78B/79B//92/122/123/133/148/154)	27.56	36.75
KLH-148K	Heavy duty leather carrying case for NX-200/300/TK-5220/5320 (Non DTMF keypad models)	33.19	44.25
KLH-148K2	Heavy duty leather carrying case for NX-200/300/TK-5220/5320 (DTMF keypad models)	33.19	44.25
KLH-149K	Nylon carrying case for NX-200/300/TK-5220/5320 (Non DTMF keypad models)	19.73	26.30
KLH-149K2	Nylon carrying case for NX-200/300/TK-5220/5320 (DTMF keypad models)	19.73	26.30

SPECIAL COLOR HOUSING		EPL	LIST
KWD-YH20-P25	Yellow Housing Kit for TK-5x20 portables (6 Control Keys Version Only) Order L-1713 for Factory Install. (required for Intrinsically Safe & IP67 radio orders)	30.00	40.00
KWD-OH20-P25	Orange Housing Kit for TK-5x20 portables (6 Control Keys Version Only) Order L-1738 for Factory Install. (required for Intrinsically Safe & IP67 radio orders)	30.00	40.00
MICROPHONES & AUDIO ACCESSORIES		EPL	LIST
KMC-51M	MIL-SPEC, IP54/55 DSP Digital Noise-canceling Speaker Mic [see note 2]	187.50	250.00
KMC-52W	MIL-SPEC, IP67 (Immersion) DSP Digital Noise-canceling Speaker Mic [see note 2]	225.00	300.00
[note 2]: To adjust microphone settings different from factory default, download KPG-147NC configuration software and special configuration firmware from Kenwood Tools (no charge).			
KMC-47GPS	GPS Speaker Microphone (FM Conventional mode only -- does not operate in P25 modes)	217.50	290.00
KMC-40	MIL-SPEC, Speaker Mic. with Antenna Connector [Intrinsically Safe Approved Accessory] Note: 5/16" Coax cable hex wrench included (antenna is not included).	187.50	250.00
KMC-41M	MIL-SPEC, IP54/55 Noise-canceling Speaker Mic [Intrinsically Safe Approved Accessory]	72.38	96.50
KMC-42WM	MIL-SPEC, IP67 (Immersion) Noise-canceling Speaker Mic [Intrinsically Safe Approved Accessory] Important Note: Portable radio does not have an IP67 Immersion option; meets MIL STD810 rain standards	85.50	114.00
KEP-1	3.5mm earphone kit for KMC-25/26/41M/42WM Speaker Mics [Intrinsically Safe Approved Accessory]	39.38	52.50
KCT-30	2.5mm Audio Accessory Adapter for KEP-3/4 [Intrinsically Safe Approved Accessory]	48.00	64.00
KCT-51	Hirose 6-pin Adapter (adapts KVL/aftermarket audio acc. to portable connector) [Intrinsically Safe Approved Accessory]	161.25	215.00
KEP-3	30" Earphone kit w/ 2.5mm plug for KCT-30 [Intrinsically Safe Approved Accessory]	38.63	51.50
KEP-4	48" Earphone kit w/ 2.5mm plug for KCT-30 [Intrinsically Safe Approved Accessory]	41.06	54.75
KHS-11BE	2-wire palm mic w/earphone, universal connector (Beige) [Intrinsically Safe Approved Accessory]	117.38	156.50
KHS-11BL	2-wire palm mic w/earphone, universal connector (Black) [Intrinsically Safe Approved Accessory]	117.39	156.50
KHS-12BE	3-wire mini lapel mic w/earphone, universal connector (Beige) [Intrinsically Safe Approved Accessory]	138.00	184.00
KHS-12BL	3-wire mini lapel mic w/earphone, universal connector (Black) [Intrinsically Safe Approved Accessory]	138.00	184.00
KHS-14	Lt. Wt. Single muff headset w/boom mic & In-line PTT [Intrinsically Safe Approved Accessory]	94.50	126.00
KHS-15-BH	Hvy-duty noise reduction behind-the-headset w/noise cancelling boom mic & in-line PTT [Intrinsically Safe Approved Accessory]	315.00	420.00
KHS-15-OH	Hvy-duty noise reduction over-the-headset w/noise cancelling boom mic & in-line PTT [Intrinsically Safe Approved Accessory]	276.00	368.00

SOFTWARE OPTIONS		EPL	LIST
KPG-113AE	AES/DES Encryption Software Key Loader for KWD-DE21K/KWD-AE21K Note: KPG-113AE is a U.S. DOC/BIS Export Controlled Item (ECCN 5D002A) - See IMPORTANT NOTES -	393.75	525.00
KPG-114DE	DES Encryption Software Key Loader for KWD-DE21K/KWD-AE21K Note: KPG-114DE is a U.S. DOC/BIS Export Controlled Item (ECCN 5D992A.1) - See IMPORTANT NOTES -	276.00	368.00
KWD-TR30	Trunking Option for TK-5220/5320, TK-5720/5820 KWD-TR30 support: 1 Trunking Network Must order L-1694 for factory installation, or L-1696 for field-upgrade option Note: KPG-112D(N) Ver2.0 or later Requires Network Level License ID to program trunked network radio parameters (see KPG-112D(N) for purchase restrictions & requirements)	187.50	250.00
OPTION MODULES		EPL	LIST
KCT-48VU	External Vibration Unit [Intrinsically Safe Approved Accessory] Note: Audio accessories cannot be used when this option installed. KCT-48VU does not support the P25 digital mode calling or paging features	36.75	49.00
KCT-57MS	Man-Down Internal Tilt Switch (Non-Mercury) [Intrinsically Safe Approved Accessory] - Must be Kenwood installed for I.S. Order L-1648 for P25/FleetSync®/MDC-1200 operations	16.50	22.00
KWD-AE20K	AES FIPS140-2 & DES Encryption Module for TK-5*10 and 5*20 Portables & Mobiles (except K7 Portable) [Intrinsically Safe Approved Accessory] - Order a Labor Code L-1649 if installation is required. KWD-AE20K requires: a Motorola KVL3000 Plus key loader device. KWD-AE20K is a U.S. DOC/BIS Export Controlled Item (ECCN 5A002A.1) - See IMPORTANT NOTES -	748.50	998.00
KWD-AE21K	AES & DES Encryption Module for TK-5*10 and 5*20 Portables & Mobiles (except K7 Portable) [Intrinsically Safe Approved Accessory] - Order a Labor Code (L-1650) if installation is required. Note: Requires KPG-113AE software key loader or Motorola KVL3000 Plus key loader device. KWD-AE21K is a U.S. DOC/BIS Export Controlled Item (ECCN 5A002A.1) - See IMPORTANT NOTES -	748.50	998.00
KWD-DE21K	DES Encryption Module for TK-5*10 and 5*20 Portables & Mobiles [Intrinsically Safe Approved Accessory] - Order a Labor Code (L-1651) if installation is required Note: Requires KPG-114DE or KPG-113AE software key loader or Motorola KVL3000 Plus key loader device. KWD-DE21K is a U.S. DOC/BIS Export Controlled Item (ECCN 5A992A) - See IMPORTANT NOTES -	433.50	578.00
VGS-1	Voice Guide and Storage Unit [Intrinsically Safe Approved Accessory]	65.63	87.50
SERVICE RELATED ACCESSORIES		EPL	LIST
KPG-112DNK	Windows® Programming Software for TK-5*20 Series (Compliant with FCC Part 90 Narrowbanding)	77.44	103.25
KPG-36UM	USB Programming interface cable	118.88	158.50
KPG-93	TK-5210/5310/5410/5220/5320/5400 KVL-3000/3000 Plus Interface Cable	196.88	262.50

INSTALLATION / TUNING CHARGES		EPL	LIST
L-961	Assemble KMB-23 with six KSC-32K's (Rapid Rate, 120 Volt version only)	12.75	17.00
L-1644	TK-5220/5320 Programming (Basic TX/RX check only with factory test freq.s or dealer/customer provided KPG-112D data file)	93.75	125.00
L-1645	Install VGS-1 Voice Guide & Storage Unit	18.75	25.00
L-1646	Multi-Channel Encoder Modification	18.75	25.00
L-1647	Configure TK-5220/5320 for Intrinsically Safe Must order an I.S. battery	52.50	70.00
L-1648	TK-5220/5320 Portable KCT-57MS Installation (for P25/FleetSync®/MDC-1200)	15.00	20.00
L-1649	Install KWD-AE20K in TK-5220/TK-5320 Portables (Must purchase module separately)	56.25	75.00
L-1650	Install KWD-AE21K in TK-5220/TK-5320 Portables (Must purchase module separately)	56.25	75.00
L-1651	Install KWD-DE21K in TK-5220/TK-5320 Portables (Must purchase module separately)	56.25	75.00
L-1694	Install KWD-TR30 Trunking Option in TK-5220/5320 (Must purchase KWD-TR30 separately)	N/C	N/C
L-1696	TK-5220/5320 KWD-TR30 FIELD-UPGRADE (Must purchase KWD-TR30 separately)	N/C	N/C
L-1698	KPG-112D(N) Network Level ID (encrypted data file) Note: Enables Trunking system programming privileges; See KPG-112D(N) Network Level ID (Trunking System Privileges) - Restricted Purchase Requirements - L-1698- KPG-112D(N) Network Level ID (Trunking System Privileges) The KPG-112D(N) only ships with a "Dealer Level License ID" which permits Conventional FM and P25 Conventional radio programming privileges only. For radios with the P25 Trunking option installed, trunked/network programming privileges require a "Network Level License ID" generally reserved ONLY for the system owner or the system owners authorized operators/service centers. Purchasing the KPG-112D(N) Network Level License ID will require 1) Written verifiable authorization from the systems owner/operator. 2) The 3-digit hexadecimal P25 System ID from the system owner/operator. 3) Purchase of a L-1698 : KPG-112D(N) Network Level ID option. This option will include an encrypted KPG-112D(N) "System Key Data File" containing the 16-digit Network Level License ID & 3-digit hexadecimal System ID code.	99.00	132.00
L-1713	Assemble Yellow Housing KWD-YH20-P25 with TK-5X20 Portable	20.25	27.00
L-1738	Assemble Orange Housing KWD-OH20-P25 with TK-5X20 Portable	20.25	27.00

-- IMPORTANT NOTES --

Encryption modules, key loaders and radios containing encryption are export controlled by the U.S. Department of Commerce Bureau of Industry & Security EAR regulations and may either require an Export License, are eligible for a License Exception (ENC) or are exportable with No License Required (NLR) depending on the country, the consignee and the intended use. High level encryption is a special commodity that may require an export license to most countries. See www.bis.gov for more information regarding export regulations. DO NOT SHIP encryption items outside the U.S. without proper DOC/BIS Export Licenses and/or compliances.

Kenwood may request the following information to be submitted at time of order (this information must meet Kenwood internal approvals prior to shipment even if being returned to Kenwood later:

a) Initial Destination: Initial delivery point if different from Ultimate Destination (customer distribution center, headquarters, dealership, manufacturer's representative)

* Business/Agency Name:

* Address:

* Contact Person Name:

* Contact Phone:

b) Ultimate Destination: Final delivery point(s); deployment/distribution

* Business/Agency Name:

* Address:

* Contact Person Name:

* Contact Phone:

c) Intended Use of Radios: Law enforcement, security, operations, etc.

KWD-AE20 AES FIPS140-2 SCM , NIST Validation & Customer Shipping

A secure delivery method direct to the end user customer is required by the NIST AES FIPS 140-2 validation rules. For U.S. Federal Government entities the SCM must ship from Kenwood USA Corporation directly to the end user customer by a trusted carrier (FEDEX, UPS or a designated Kenwood USA Corporation employee); shipping/handling by a dealer or other entity is not acceptable. This may or may not be required by local/state government agencies or business/industrial users.

Please check with the end use customer about their AES encryption handling requirements before ordering. Kenwood will not be responsible for shipments of KWD-AE20K modules to erroneous destinations specified on an order.

TK-5710G / 5810G

VHF/UHF FM & P25 Digital Mobile Radios



All P25 series mobiles include:

- RF Deck Only
(Configuration Set & Assembly Labor Code must be order for a Complete Mobile.)
- Premium Warranty: 3 Years*

* All Accessories / options: 1 Year

G models are Ver 3 Hardware (starting S/No. B03xxxxx)

* TX Power is derated at 500-520 MHz for TK-5810HBK:

450-499 MHz (100 W)
500-520 MHz (60 W)

GENERAL FEATURES

- 50W & 110W (136-174 MHz)
- 45W & 100 W (450-520, 400-470 MHz)
- 100 Zones / 1024 Channels
- Personality Lists
- Enhanced Kenwood Audio
- Zone/CH Voice Announce
- Emergency Features
- Tactical Group
- Intercom
- Public Address
- Time Out Timer
- Busy Channel Lockout
- Ignition Sense
- Timed Power Off
- DB-25 & 9-Pin Accessory Connectors
- Transceiver Password
- Date & 12/24 Hour Time Clock
- Windows® Programming & Tuning
- Windows® Firmware Uploading
- Field-Programming & Tuning
- Cloning
- Easy Option Ports (26-pin)
- Voice Guide & Storage (Option)
- DB-25 & 9-Pin Accessory Connectors
- MIL-STD 810 C/D/E/F, IP-54
- MIL-STD Noise-Cancel Mic
- MIL-STD 12-Key DTMF Mic Option

MOUNTING CONFIGURATIONS

- Dash Mount
- Single Control Head Remote Mount
- Handheld Control Remote Mount
- Dual Control Head Remote Mount

FRONT PANELS/CONTROL HEADS

- KCH-14 Front Panel
 - 12-Character Alphanumeric Aliases
 - 5 PF Keys
 - Built-in Front Speaker
- KCH-15 Front Panel
 - 14-Character Alphanumeric Aliases
 - 11 PF Keys
- KCH-16M Handheld Control Head
 - 14-Character Alphanumeric Aliases
 - 9 PF Keys
 - 12-Key DTMF/Function Keypad

P25 DIGITAL

- P25 Digital Conventional
- P25 Digital Trunking Option
- AMBE+2™ Enhanced VOCODER
- Talk Group ID Lists
- Individual ID Lists
- Caller ID Display
- RSSI Indicator
- Remote Monitor
- Remote Check
- Radio Inhibit
- Encryption Key Delete
- Encryption Key Zeroize Option
- Encryption Key Retention Option
- DES 16-Key SCM Option
- AES FIPS 140-2 & DES 16-Key SCM Option
- KPG-94 KVL Key Loader Interface Cable
- P25 GPS Location
- P25 OTAR Option

SCAN TYPES (FM & P25)

- Single Zone/Multi-Zone Scan
- Scan Lists
- Conventional Scan
- Limited Talk Group Scan
- Priority Monitor Scan
- Dual Priority Scan

FM

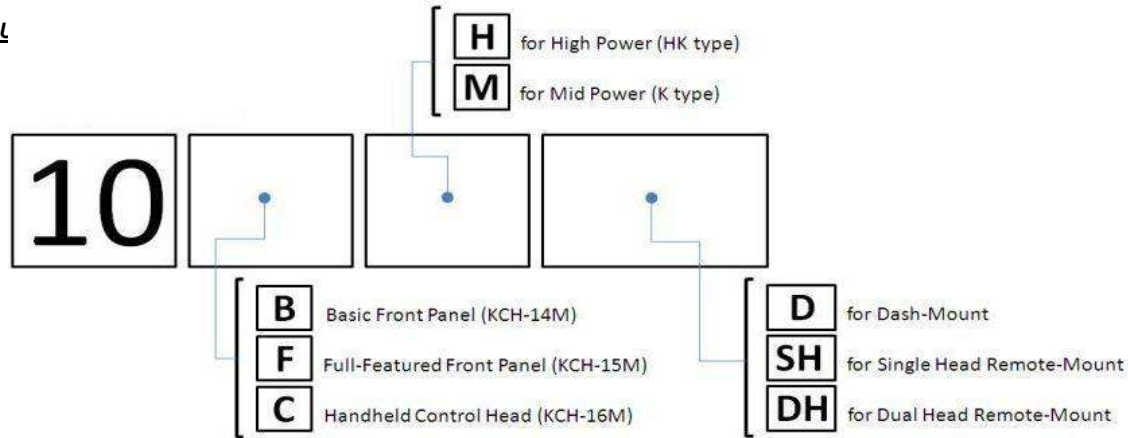
- QT / DQT
- Operator Selectable Tone
- Two-Tone Encode / Decode
- DTMF Encode / Decode / Stun
- Special Alert Tone Patterns
- Horn Alert Output
- Encryption / ANI Board Control
- Companded Audio
- FleetSync® /II PTT ID / Caller ID Display / Emergency
- MDC-1200 PTT ID / Caller ID Display / Emergency

MODEL		EPL	LIST
TK-5710BGK	136-174MHz 10-50W 100 Zones/1024 Channels (R.F. DECK ONLY)	1,200.75	1,601.00
TK-5710HBGK	136-174MHz 50-110W 100 Zones/1024 Channels (R.F. DECK ONLY)	1,658.25	2,211.00
TK-5810BGK	450-520 MHz 5-45W 100 Zones/1024 Channels (R.F. DECK ONLY)	1,200.75	1,601.00
TK-5810BGK2	400-470 MHz 5-45W 100 Zones/1024 Channels (R.F. DECK ONLY)	1,200.75	1,601.00
TK-5810HBGK	450-520 MHz 50-100W 100 Zones/1024 Channels (R.F. DECK ONLY)	1,658.25	2,211.00
TK-5810HBGK2	400-470 MHz 50-100W 100 Zones/1024 Channels (R.F. DECK ONLY)	1,658.25	2,211.00

Programming Cost: \$75.00 Installation: See control head section for installation cost

ACCESSORY CONFIGURATION SETS **EPL** **LIST**

CONFIG



<u>Dash Mount</u>		<u>EPL</u>	<u>LIST</u>
10BHD	KCH-14M, KCT-23M2, KMB-9, KMC-27	512.63	683.50
10BMD	KCH-14M, KCT-23M, KMB-5, KMC-27	490.13	653.50
10FHD	KCH-15M, KCT-23M2, KMB-9, KMC-27, KES-5	558.56	744.75
10FMD	KCH-15M, KCT-23M, KMB-5, KMC-27, KES-5	536.06	714.75

Programming Cost: \$75.00 Dash Mount Installation Cost: \$75.00

<u>Single Head Remote Mount</u>		<u>EPL</u>	<u>LIST</u>
10BHSH	KCH-14M, KRK-5, KCT-22M2, KCT-23M4, KMB-9, KMC-27	690.75	921.00
10BMSH	KCH-14M, KRK-5, KCT-22M2, KCT-23M3, KMB-5, KMC-27	665.81	887.75
10FHSH	KCH-15M, KRK-5, KCT-22M2, KCT-23M4, KMB-9, KMC-27, KES-5	736.69	982.25
10FMSH	KCH-15M, KRK-5, KCT-22M2, KCT-23M3, KMB-5, KMC-27, KES-5	711.75	949.00

Programming Cost: \$75.00 Single Head Remote Installation Cost: \$125.00

<u>Dual Head Remote Mount</u>		<u>EPL</u>	<u>LIST</u>
10BHDDH	KCH-14M(x2), KRK-6DH, KCT-22M2(x2), KCT-23M4, KMB-9, KMC-27(x2)	1,288.50	1,718.00
10BMDH	KCH-14M(x2), KRK-6DH, KCT-22M2(x2), KCT-23M3, KMB-5, KMC-27(x2)	1,263.56	1,684.75
10FHDDH	KCH-15M(x2), KRK-6DH, KCT-22M2(x2), KCT-23M4, KMB-9, KMC-27(x2), KES-5(x2)	1,380.38	1,840.50
10FMDH	KCH-15M(x2), KRK-6DH, KCT-22M2(x2), KCT-23M3, KMB-5, KMC-27(x2), KES-5(x2)	1,355.44	1,807.25

Programming Cost: \$75.00 Dual Head Remote Installation Cost: \$250.00

<u>Handheld Control Head Remote</u>		<u>EPL</u>	<u>LIST</u>
10CHSH	KCH-16M, KRK-11M, KCT-22M2, KCT-23M4, KMB-9, KES-5	792.56	1,056.75
10CMSH	KCH-16M, KRK-11M, KCT-22M2, KCT-23M3, KMB-9, KES-5	784.69	1,046.25

Programming Cost: \$75.00 Handheld Installation Cost: \$125.00

FRONT PANELS & REMOTE KITS (Order Configuration Sets for full install accessories)		<u>EPL</u>	<u>LIST</u>
KCH-14M	Basic Remote Control Head w/ 12 Alphanumeric Display (4W Front Speaker) Note: All KCH-14 / Basic Control Head configurations are shipped with the control heads 4W internal speaker enabled. Order L-1008 to enable the 13W external speaker output for KES-5 speaker use. This will disconnect the control heads internal 4W speaker!	378.00	504.00
KCH-15M	Full-Featured Remote Control Head w/ 14 Alphanumeric Display Note: requires an external speaker	378.00	504.00
KRK-5	Single Control Head Remote Mount Kit	110.25	147.00
KRK-6DH	Dual Control Head Remote Mount Kit	189.00	252.00

HANDHELD CONTROL HEAD REMOTE (Order Configuration Sets for full install accessories)		EPL	LIST
KCH-16M	Handheld Control Head for P25 Mobiles Note: requires KRK-11M, KCT-22M/M2/M3, & KES-5	409.50	546.00
KRK-11M	KCH-16M HHCH Interface Kit for Single Head Remote	212.63	283.50
CABLES		EPL	LIST
KCT-18	Ignition sense cable	10.28	13.70
KCT-22M	Control cable - 8 Feet	55.13	73.50
KCT-22M2	Control cable - 17 Feet (Standard accessory config. set cable)	63.00	84.00
KCT-22M3	Control cable - 25 Feet	70.88	94.50
KCT-23M	DC Cable (10-50W Dash mount)	23.63	31.50
KCT-23M2	DC Cable (50-110W Dash mount)	29.06	38.75
KCT-23M3	DC Cable (10-50W Remote mount)	26.06	34.75
KCT-23M4	DC Cable (50-110W Remote mount)	33.94	45.25
MOBILE INSTALLATION ACCESSORIES		EPL	LIST
KLF-2	Line Filter (suppresses alternator whine, 25dB, 25A max)	31.50	42.00
KMB-10	Key Lock Adapter for use with KMB-4/5/6	19.73	26.30
KMB-5	Medium Power Mounting Bracket (10-50W models)	10.50	14.00
KMB-9	Heavy Duty Mounting Bracket with built-in key lock	27.56	36.75
MICROPHONES AND SPEAKERS		EPL	LIST
KES-5	External Speaker (40W max input)	45.94	61.25
KMC-27	MIL-SPEC noise-canceling mobile hand microphone	78.00	104.00
KMC-28	MIL-SPEC DTMF noise-canceling mobile hand microphone	122.25	163.00
KMC-9B	Desk top microphone	72.38	96.50
SERVICE RELATED ACCESSORIES		EPL	LIST
KPG-43UM	USB Programming interface cable	118.88	158.50
KPG-94	KVL-3000/3000 Plus Interface Cable for TK-5x10 & TK-5x10G Mobiles	196.88	262.50
KPG-95DG(NK)	Windows® Programming Software for TK-5x10 & TK-5x10G Portables & Mobiles (Compliant with FCC Part 90 Narrowbanding) Note: Self-programming function is not available.	471.00	628.00
Analog & P25 Conventional Programming			
A "Dealer-Level" License ID is included with each KPG-95D/DG(N)K which only permits full analog conventional and P25 conventional programming. Data files created with a "Network-Level Licensed" KPG-95D/95DG and containing P25 programmed P25 trunked network parameters can be loaded and viewed with a Dealer-Level Licensed KPG-95D/DG(N)K, but the trunked network parameters cannot be changed.			
P25 Trunked Programming Capability (licensed by either 1 or 2 below):			
1. KPG-95DG(N)K with System Key File (*.SKF)- See L-989			
<ul style="list-style-type: none"> • For all TK-5x10 radio platforms (VER1, 2, 3 or later). • 3-digit HEX System ID (HSID) and verifiable written authorization required from trunked system operator (SYSOP). • Purchase KPG-95DG(N)K & L-989 Network-Level License ID • Kenwood ships an encrypted *.SKF file on CD ROM • The *.SKF securely embeds/encrypts the 16-digit Network Level License ID & the HSID. 			
2. KPG-95DG(N)K with Advanced Network Keys (ANK's)			
<ul style="list-style-type: none"> • For TK-5x10G/5410/5910 VER 3 or later radio platforms only. • SYSOPs: Refer to KWD-ANK-MK Master Key • Dealers/contractors: Refer to KWD-ANK-AK Access Key • KPG-95DG(N)K (V7.0 or later) supports up to 16 KWD-ANK-AK Access Keys (16 trunked networks). 			

SERVICE RELATED ACCESSORIES (cont.)		EPL	LIST
KWD-ANK-AK	Access Key for KPG-95DGK P25 trunked programming Notes: • For TK-5x10G/5410/5910 VER 3 or later radio platforms only • Must be activated by a SYSOP with KWD-ANK-MK Master Key. • Must have KPG-95DG(N)K (V7.0 or later); L-989 is NOT required. • Battery Life: 3 years (non-serviceable; key must be replaced)	156.00	208.00
KWD-ANK-MK	Master Key for activating KWD-ANK-AK Access Keys - Restricted Purchase Requirements - Notes: • For TK-5x10G/5410/5910 VER 3 or later radio platforms only. • Sold to SYSOP or SYSOP authorized entities only • Must have KPG-95DG(N)K (V7.0 or later) with L-989 Network-Level License ID • SYSOP must provide 3-digit HEX HSID to Kenwood. • Purchase KWD-ANK-AK Access Keys if needed. • Battery Life: 3 years (non-serviceable; key must be replaced)	375.00	500.00
FRIMWARE OPTIONS		EPL	LIST
KWD-RK20	OTAR Option for KWD-AE20K Encryption Module in TK-5x10 series (OTAR in P25 Conventional & Trunked Modes) • Requires KWD-AE20K module. • L-1108 (for portable) & L-1109 (for mobile) Installation (no charge) • L-1733 (for portable) & L-1734 (for mobile) Field Upgrade Option Note: • Supports OTAR in P25 Conventional & Trunked modes (Not compatible with GK7 64 CH Model) • Compatible with Motorola KMF P25 OTAR (excludes Motorola-proprietary non-TIA/P25 KMF features) • Requires KPG-95D/DG(N) V7.10 or later for radio programming • TK-5x10 VER2: Requires KPG-95D V5.40 or later for radio programming • TK-5410/5910: Requires KPG-95D V6.00 or later for radio programming • TK-5x10G: Requires KPG-95DG(N) for radio programming • TK-5x10 VER2: Option deletes self-programming, cloning and analog FleetSync® (except PTT ID/Emergency) when installed. KWD-RK20 is an U.S. DOC/BIS Export Controlled Item (ECCN 5D002A) - See IMPORTANT NOTES -	622.50	830.00
KWD-TR20	Trunking Option for TK-5210/5310/5210G/5310G, TK-5710/5810/5710G/5810G KWD-TR20 support: 16 Trunking Network Must order L-1056 for factory installation, or L-1068 for field-upgrade option Note: KPG-95D/95DG(N) Requires Network Level License ID to program trunked network radio parameters (see KPG-95D/95DG(N) for purchase restrictions & requirements) Compatible with TK-5210 Version 2 (SN 80600001 or later); TK-5310 (SN 809xxxxx or later); TK-5710 Version 2 (SN806xxxxx); TK-5810 (SN 809xxxxx or later); All TK-5x10G Series are compatible	250.50	334.00
SOFTWARE OPTIONS		EPL	LIST
KPG-113AE	AES/DES Encryption Software Key Loader for KWD-DE21K/KWD-AE21K Loads AES & DES keys on capable encryption modules Note: KPG-113AE is a U.S. DOC/BIS Export Controlled Item (ECCN 5D002A) - See IMPORTANT NOTES -	393.75	525.00
KPG-114DE	DES Encryption Software Key Loader for KWD-DE21K/KWD-AE21K Loads DES keys only regardless of encryption module model Note: KPG-114DE is a U.S. DOC/BIS Export Controlled Item (ECCN 5D992A.1) - See IMPORTANT NOTES -	276.00	368.00

OPTION MODULES		EPL	LIST
KWD-AE20K	AES FIPS140-2 & DES Encryption Module for TK-5x10, TK-5x10G & TK-5x20 Portables & Mobiles (except K7 Portable) [KWD-AE20K support] - Advanced Encryption Standard (AES): 256-bit symmetric key algorithm; NIST validated per FIPS140-2 - Data Encryption Standard (DES): 56-bit symmetric key algorithm. - 16 Multi-key List (user-selectable / per Personality programming) - Stores: 1024 keys & 1024 Common Key References (CKR) - Must order KWD-RK20 for OTAR capability - Order L-1345 if installation is required. - KWD-AE20K requires: a Motorola KVL3000/+ & KVL-4000 Key Fill Devices and KMF P25 OTAR (excludes Motorola-proprietary non-TIA/P25 KMF features). F/W VA2.0.3 or later supports the KVL4000. - KWD-AE20K is an U.S. DOC/BIS Export Controlled Item (ECCN 5A002A.1) - See IMPORTANT NOTES -	748.50	998.00
KWD-AE21K	AES & DES Encryption Module for TK-5x10, TK-5x10G & TK-5x20 Portables & Mobiles (except K7 Portable) [KWD-AE20K support] - Advanced Encryption Standard (AES): 256-bit symmetric key algorithm; - Data Encryption Standard (DES): 56-bit symmetric key algorithm. - 16 Multi-key List (user-selectable / per Personality programming) - Stores: 1024 keys & 1024 Common Key References (CKR) Order L-1346 if installation is required. Note: Requires KPG-113AE software key loader or Motorola KVL3000 Plus key loader device. KWD-AE21K is an U.S. DOC/BIS Export Controlled Item (ECCN 5A002A.1) - See IMPORTANT NOTES -	748.50	998.00
KWD-DE21K	DES Encryption Module for TK-5x10, TK-5x10G & TK-5x20 Portables & Mobiles [KWD-DE21K support] - Data Encryption Standard (DES): 56-bit symmetric key algorithm - 16 Multi-key List (user-selectable / per Personality programming) - Stores: 1024 keys & 1024 Common Key References (CKR) Order L-1602 if installation is required Note: Requires KPG-114DE or KPG-113AE software key loader or Motorola KVL3000 Plus key loader device. KWD-DE21K is a U.S. DOC/BIS Export Controlled Item (ECCN 5A992A) - See IMPORTANT NOTES -	433.50	578.00
VGS-1	Voice Guide and Storage Unit Note: VGS-1 provides Auto-Record, Voice Memo & Playback; The Voice Guide (a.k.a annunciation) function is built-in to the TK-5710/5810 and does not require the VGS-1	65.63	87.50
GPS Option		EPL	LIST
GA25MCX	Garmin On-dash Style Magnetic base GPS Antenna for GPS15XL-W Note: shipped loose only; Install GA25MCX antenna to GPS15XL-W before vehicle install.	46.50	62.00
GPS15XL-W	Garmin Internal GPS Receiver Board (P25 Conventional) Note: • Provides GPS on P25 Conventional only (TIA-102.BAJB Tier I Location Service compliant; not for use over trunked systems) • Requires GA25MCX GPS antenna	97.69	130.25
INSTALLATION / TUNING CHARGES		EPL	LIST
L-862	Install Front Panel PF Key Label Inserts in TK-5x10, TK-5x10G & TK-x90 series Mobile (key names and positions must be specified)	11.25	15.00
L-864	KCT-22A Extended Control Head Cable (Specify length in 1 ft increments up to 50 ft. max.)	142.50	190.00
L-865	KCT-22A Extended Control Head Cable (Specify length in 1 ft. increments up to 100 ft. max.) Extended control head cables: Extended cables result in a loss of control head audio power. On KCH-14 use 13W audio output modifications per service manual Use a standard KCT-22 25 ft. or less cable for firmware installation. Normal KPG-95D radio programming is possible at extended lengths.	183.75	245.00
L-866	Modify KCT-23M2/M4 110W High Power DC Cables from 4 to 2 Conductors (1x23 ft. positive, 1x23 ft. negative; AWG #10) Two Conductor Modification: KCT-23M2 75/110W Dash Mount DC Cable (4 Conductor: 2x10 ft. positive, 2x10 ft. negative) KCT-23M4 75/110W Remote Mount DC Cable (4 Conductor: 2x23 ft. positive, 2x23 ft. negative)	56.25	75.00
L-962	Install VGS-1 Voice Guide & Storage Unit	18.75	25.00

INSTALLATION / TUNING CHARGES - CONT'D		EPL	LIST
L-989	KPG-95D/95DG(N) Network Level ID (encrypted data file) Note: Enables Trunked system programming privileges in a KPG-95DG(N)K. - Restricted Purchase Requirements - • 3-Digit HEX System ID (HSID) from SYSOP required • Must Purchase KPG-95DG(N)K (V7.0 or later) with L-989 • Kenwood ships an encrypted *.SKF file on CD ROM • Non-SYSOP entities ordering L-989 must provide verifiable written authorization from SYSOP to receive an *.SKF file. • The 16-digit Network Level License ID & 3-digit HEX HSID are securely encrypted & embedded in the *.SKF file.	99.00	132.00
L-1005	TK-5x10 & TK-5x10G Mobile Programming (Basic TX/RX check only with factory test freq.s or dealer/customer provided KPG-95D/95DG(N) data file)	93.75	125.00
L-1006	Modify TK-5x10 & TK-5x10G Mobile for Horn Alert relay output (1 amp max.; relay factory installed already)	18.75	25.00
L-1008	External Speaker modification for TK-5x10 & TK-5x10G mobile Control Head (13W) Note: All Basic Control Head (KCH-14M) configurations are shipped with the control heads 4W internal speaker enables. Order L-1008 to enable the 13W external speaker output for KES-5 speaker use. This will disconnect the control heads internal 4W speaker!	7.50	10.00
L-1028	Package Dash/Single Head Remote for TK-5x10 & TK-5x10G mobiles	12.75	17.00
L-1029	Package Dual Head Remote for TK-5x10 & TK-5x10G mobiles	25.50	34.00
L-1056	Install KWD-TR20 Trunking Option in TK-5710/5810 & TK-5710G/5810G (Must purchase KWD-TR20K separately)	N/C	N/C
L-1068	TK-5710/5810 & TK-5710G/5810G KWD-TR20 FIELD-UPGRADE (Must purchase KWD-TR20 separately)	31.50	42.00
L-1109	Install KWD-RK20 OTAR Option in TK-5x10 & TK-5x10G Mobiles (Must purchase KWD-RK20 separately)	N/C	N/C
L-1110	Package HHCH Remote for TK-5x10 & TK-5x10G mobiles	18.75	25.00
L-1345	Install KWD-AE20K in TK-5x10 & TK-5x10G Mobile (Must purchase module separately)	56.25	75.00
L-1346	Install KWD-AE21K in TK-5x10 & TK-5x10G Mobile (Must purchase module separately)	56.25	75.00
L-1602	Install KWD-DE21K in TK-5x10 & TK-5x10G Mobile (Must purchase module separately)	56.25	75.00
L-1734	KWD-RK20 Field Upgrade Option for TK-5x10/5x10G/5910 (Must purchase KWD-RK20 separately)	31.50	42.00

-- IMPORTANT NOTES --

Encryption modules, key loaders and radios containing encryption are export controlled by the U.S. Department of Commerce Bureau of Industry & Security EAR regulations and may either require an Export License, are eligible for a License Exception (ENC) or are exportable with No License Required (NLR) depending on the country, the consignee and the intended use. High level encryption is a special commodity that may require an export license to most countries. See www.bis.gov for more information regarding export regulations. DO NOT SHIP encryption items outside the U.S. without proper DOC/BIS Export Licenses and/or compliances.

Kenwood may request the following information to be submitted at time of order (this information must meet Kenwood internal approvals prior to shipment even if being returned to Kenwood later:

- a) Initial Destination:** Initial delivery point if different from Ultimate Destination
(customer distribution center, headquarters, dealership, manufacturer's representative)
* Business/Agency Name:
* Address:
* Contact Person Name:
* Contact Phone:
- b) Ultimate Destination:** Final delivery point(s); deployment/distribution
* Business/Agency Name:
* Address:
* Contact Person Name:
* Contact Phone:
- c) Intended Use of Radios:** Law enforcement, security, operations, etc.

KWD-AE20 AES FIPS140-2 SCM , NIST Validation & Customer Shipping

A secure delivery method direct to the end user customer is required by the NIST AES FIPS 140-2 validation rules. For U.S. Federal Government entities the SCM must ship from Kenwood USA Corporation directly to the end user customer by a trusted carrier (FEDEX, UPS or a designated Kenwood USA Corporation employee); shipping/handling by a dealer or other entity is not acceptable. This may or may not be required by local/state government agencies or business/industrial users. Please check with the end use customer about their AES encryption handling requirements before ordering. Kenwood will not be responsible for shipments of KWD-AE20K modules to erroneous destinations specified on an order.

TK-5720 / 5820

VHF/UHF FM Analog & P25 Digital Mobile Radios



All 5X20 series mobiles include:

- Standard Microphone (KMC-35)
- Mounting Bracket
- DC Cable (KCT-23M)
- Blade Fuse
- Instruction Manual
- Premium Warranty: 3 Years*

* All Accessories / options: 1 Year

* TX Power is derated at 490-512 MHz
 TK-5320: 450-489 MHz (45 W)
 490-512 MHz (40 W)

GENERAL FEATURES

- 50W (136-174 MHz)
- 45W (400-470, 450-520, 380-400MHz)
- 128 Zones / 512 Channels
- Emergency Features
- Public Address (KAP-2 Required)
- Time Out Timer
- Busy Channel Lockout
- Ignition Sense
- Timed Power Off
- DB-25 & 9-Pin Accessory Connectors
- 9 Programmable AUX I/Os
- 2 Programmable AUX Outputs
- Transceiver Password
- Date & 12/24 Hour Time Clock
- Windows® Programming & Tuning
- Windows® Firmware Uploading
- Easy Option Ports (26-pin)
- Voice Guide & Storage (option)
- MIL-STD 810 C/D/E/F/G, IP-54
- MIL-STD Mic (included)
- MIL-STD 12-Key DTMF Mic Option

FRONT PANELS/CONTROL HEADS

- Dash & Remote Mount
- 14 Character Alphanumeric Aliases
- Backlit Dot Matrix LCD
- 3-Digit Sub-Display
- Function/Status LCD Icons
- RSSI Indicator
- Transmit/Busy/Call Alert/Warn LED
- On/Off Power Control
- 4 Up/Down Selectors
- 6 Front PF Keys
- Emergency/AUX Key
- 4W Speaker Audio

P25 DIGITAL

- P25 Digital Conventional
- AMBE+2™ Enhanced VOCODER
- Talk Group ID Lists
- Individual ID Lists
- Caller ID Display
- Remote Monitor / Check, Radio Inhibit
- Encryption Key Zeroize and Retention
- DES Encryption Module Option
- AES & DES Encryption Module Option
- KPG-115 Key Loader Interface Cable
- P25 Digital Trunking Option

SCAN TYPES (FM & P25)

- Single Zone/Multi-Zone Scan
- Scan Lists*
- Conventional Scan
- Limited Talk Group Scan*
- Priority Monitor Scan*
- Dual Priority Scan

FM

- QT / DQT
- Operator Selectable Tone
- Two-Tone Decode / Encode
- DTMF Encode / Decode / Stun
- Special Alert Tone Patterns
- Encryption / ANI Board Control
- Companded Audio

FleetSync® / II (FM)

- PTT ID Digital ANI
- Caller ID Display
- Status Messaging
- Emergency & Stun Statuses
- Selective & Group Call
- Text Messaging
- Send/Display GPS

MDC-1200

- PTT ID Digital ANI
- Caller ID Display
- Emergency Status
- Radio Check
- Radio Inhibit

MODEL		EPL	LIST
TK-5720K	136-174 MHz 50W, 512 CH / 128 Zone	975.75	1,301.00
TK-5820K	450-520 MHz 45W, 512 CH / 128 Zone	975.75	1,301.00
TK-5820K2	400-470 MHz 45W, 512 CH / 128 Zone	975.75	1,301.00
TK-5820K3	380-400 MHz 45W, 512 CH / 128 Zone	975.75	1,301.00
[For U.S. Federal Government & Export Sales Only]			

Programming Cost: \$75.00 Installation: \$75.00 Dashmount/ \$125.00 Remote Mount

MOBILE INSTALLATION ACCESSORIES		EPL	LIST
KAP-2	Horn Alert/P.A. Relay Option	47.25	63.00
KCT-46	Ignition sense cable (plugs directly into mobile chassis ignition sense line)	10.28	13.70
KLF-2	Line Filter (suppresses alternator whine, 25dB, 25A max).	31.50	42.00
KMB-10	Key lock adapter	19.73	26.30
KRK-10	Remote Control Kit (a remote control cable (23 ft) is included)	78.75	105.00
Programming Cost: \$75.00 Installation: \$125.00			
KRK-13	Dual Control Head Kit (a control head, remote cables, and KMC-35 microphone included) Note: some operations have limitations. Please refer to your local Authorized Kenwood Dealer. Order: L-1777 if installation is required	719.25	959.00
Programming Cost: \$75.00 Installation: \$250.00			
KCT-23M	DC Cable (35-50W Dash mount; pos/neg. 10 ft. leads)	23.63	31.50
KCT-23M3	DC Cable (35-50W Remote mount; pos.23 ft.; neg. 3.3. ft. leads)	26.06	34.75
CONTROL STATION INSTALLATION ACCESSORIES		EPL	LIST
KMC-9C	Control Station Desktop Microphone (8-pin mod. plug)	64.50	86.00
KMB-24	Control Station Mounting Case for KPS-15 Power Supplies (mobile mounting hardware included)	31.50	42.00
KPS-15	DC Switching Power Supply (117/230 VAC; 23A max. continuous, 25A peak)	129.75	173.00
MICROPHONES AND SPEAKERS		EPL	LIST
KMC-35	MIL-SPEC Standard electret mobile microphone (8-pin mod. plug) - same as supplied	39.38	52.50
KMC-36	MIL-SPEC Standard electret mobile microphone with 12 keypad (8-pin mod. plug)	70.88	94.50
KMC-27A	MIL-SPEC & Noise Canceling dynamic mobile microphone (8-pin mod. plug)	78.00	104.00
KMC-27B	Standard dynamic mobile microphone (8-pin mod. plug)	31.50	42.00
KMC-28A	MIL-SPEC & Noise Canceling dynamic mobile microphone (8-pin mod. plug) w/ DTMF	122.25	163.00
KMC-9C	Control Station Desktop Microphone (8-pin mod. plug)	64.50	86.00
KES-3	External speaker (compact low profile; black case; 3.5 mm phono plug-in)	33.19	44.25
KES-5	External speaker, 40W max input Note: requires KAP-2 (PA/HA unit) installed	45.94	61.25
SOFTWARE OPTIONS		EPL	LIST
KPG-113AE	AES/DES Encryption Software Key Loader for KWD-DE21K/KWD-AE21K KPG-113AE is a U.S. DOC/BIS Export Controlled Item (ECCN 5D002A) - See IMPORTANT NOTES -	393.75	525.00
KPG-114DE	DES Encryption Software Key Loader for KWD-DE21K/KWD-AE21K KPG-114DE is a U.S. DOC/BIS Export Controlled Item (ECCN 5D992A.1) - See IMPORTANT NOTES -	276.00	368.00
KWD-TR30	Trunking Option for TK-5220/5320, TK-5720/5820 KWD-TR30 support: 1 Trunking Network Must order L-1695 for factory installation, or L-1697 for field-upgrade option Note: KPG-112D(N) Ver2.0 or later Requires Network Level License ID to program trunked network radio parameters (see KPG-112D(N) for purchase restrictions & requirements)	187.50	250.00
OPTION MODULES		EPL	LIST
KWD-AE20K	AES FIPS140-2 & DES Encryption Module for TK-5*10 and 5*20 Portables & Mobiles Order L-1657 if installation is required. KWD-AE20K requires: a Motorola KVL3000 Plus key loader device. KWD-AE20K is a U.S. DOC/BIS Export Controlled Item (ECCN 5A002A.1) - See IMPORTANT NOTES -	748.50	998.00
KWD-AE21K	AES & DES Encryption Module for TK-5*10 and 5*20 Portables & Mobiles Order L-1658 if installation is required. Note: Requires KPG-113AE software key loader or Motorola KVL3000 Plus key loader device. KWD-AE21K is a U.S. DOC/BIS Export Controlled Item (ECCN 5A002A.1) - See IMPORTANT NOTES -	748.50	998.00
KWD-DE21K	DES Encryption Module for TK-5*10 and 5*20 Portables & Mobiles Order L-1659 if installation is required Note: Requires KPG-114DE or KPG-113AE software key loader or Motorola KVL3000 Plus key loader device KWD-DE21K is a U.S. DOC/BIS Export Controlled Item (ECCN 5A992A) - See IMPORTANT NOTES -	433.50	578.00
VGS-1	Voice Guide and Storage Unit	65.63	87.50

GPS Option		EPL	LIST
GPS15XL-W	Garmin Internal GPS Receiver Board for FleetSync® AVL Note: • Provides GPS on Analog Conventional • Requires GA25MCX GPS antenna • Refer to 5720/5820-Series Service Manuals for installation. Refer to www.garmin.com for GPS15XL-W technical specifications. • Option: Order L-1655 for Kenwood Long Beach installation	97.69	130.25
GA25MCX	Garmin On-dash Style Magnetic base GPS Antenna for GPS15XL-W Note: shipped loose only; Install GA25MCX antenna to GPS15XL-W before vehicle install.	46.50	62.00
SERVICE RELATED ACCESSORIES		EPL	LIST
KPG-46UM	USB Programming interface cable	118.88	158.50
KPG-112DNK	Windows® Programming Software for TK-5*20 Series (Compliant with FCC Part 90 Narrowbanding)	77.44	103.25
KPG-115	Key Loader Interface Cable for Motorola KVL-3000/3000 Plus	196.88	262.50
INSTALLATION / TUNING CHARGES		EPL	LIST
L-1645	Install VGS-1 Voice Guide & Storage Unit	18.75	25.00
L-1652	TK-5720/5820 Programming (Basic TX/RX check only with factory test freq.s or dealer/customer provided KPG-112D(N) data file)	93.75	125.00
L-1653	TK-5720/5820 Install KAP-2 (Default) HR1/Internal Sp./PA	18.75	25.00
L-1654	TK-5720/5820 Install KAP-2 HR1/External Sp./PA	18.75	25.00
L-1655	Install Garmin GPS15XL-W in TK-5720/5820 mobiles for FleetSync® AVL	75.00	100.00
L-1656	Assemble TK-5720/5820 with KRK-10 Remote Kit	31.50	42.00
L-1657	Install KWD-AE20K in TK-5720/5820 Mobile (Must purchase module separately)	56.25	75.00
L-1658	Install KWD-AE21K in TK-5720/5820 Mobile (Must purchase module separately)	56.25	75.00
L-1659	Install KWD-DE21K in TK-5720/5820 Mobile (Must purchase module separately)	56.25	75.00
L-1695	Install KWD-TR30 Trunking Option in TK-5720/5820 (Must purchase KWD-TR30 separately)	N/C	N/C
L-1697	TK-5720/5820 KWD-TR30 FIELD-UPGRADE (Must purchase KWD-TR30 separately)	N/C	N/C
L-1698	KPG-112D(N) Network Level ID (encrypted data file) Note: Enables Trunking system programming privileges; See KPG-112D(N) Network Level ID (Trunking System Privileges) - Restricted Purchase Requirements - L-1698- KPG-112D(N) Network Level ID (Trunking System Privileges) The KPG-112D(N) only ships with a "Dealer Level License ID" which permits Conventional FM and P25 Conventional radio programming privileges only. For radios with the P25 Trunking option installed, trunked/network programming privileges require a "Network Level License ID" generally reserved ONLY for the system owner or the system owners authorized operators/service centers. Purchasing the KPG-112D(N) Network Level License ID will require 1) Written verifiable authorization from the systems owner/operator. 2) The 3-digit hexadecimal P25 System ID from the system owner/operator. 3) Purchase of a L-1698 : KPG-112D(N) Network Level ID option. This option will include an encrypted KPG-112D(N) "System Key Data File" containing the 16-digit Network Level License ID & 3-digit hexadecimal System ID code.	99.00	132.00
L-1777	Assemble TK-5720/5820 with KRK-13 Dual Remote Kit	25.00	42.00

-- IMPORTANT NOTES --

Encryption modules, key loaders and radios containing encryption are export controlled by the U.S. Department of Commerce Bureau of Industry & Security EAR regulations and may either require an Export License, are eligible for a License Exception (ENC) or are exportable with No License Required (NLR) depending on the country, the consignee and the intended use. High level encryption is a special commodity that may require an export license to most countries. See www.bis.gov for more information regarding export regulations. **DO NOT SHIP** encryption items outside the U.S. without proper DOC/BIS Export Licenses and/or compliances.

Kenwood may request the following information to be submitted at time of order (this information must meet Kenwood internal approvals prior to shipment even if being returned to Kenwood later):

a) Initial Destination: Initial delivery point if different from Ultimate Destination
(customer distribution center, headquarters, dealership, manufacturer's representative)

* Business/Agency Name:

* Address:

* Contact Person Name:

* Contact Phone:

b) Ultimate Destination: Final delivery point(s); deployment/distribution

* Business/Agency Name:

* Address:

* Contact Person Name:

* Contact Phone:

c) Intended Use of Radios: Law enforcement, security, operations, etc.

KWD-AE20 AES FIPS140-2 SCM , NIST Validation & Customer Shipping

A secure delivery method direct to the end user customer is required by the NIST AES FIPS 140-2 validation rules. For U.S. Federal Government entities the SCM must ship from Kenwood USA Corporation directly to the end user customer by a trusted carrier (FEDEX, UPS or a designated Kenwood USA Corporation employee); shipping/handling by a dealer or other entity is not acceptable. This may or may not be required by local/state government agencies or business/industrial users. Please check with the end use customer about their AES encryption handling requirements before ordering. Kenwood will not be responsible for shipments of KWD-AE20K modules to erroneous destinations specified on an order.

TK-5910

700/800 MHz FM Analog & P25 Digital Mobile Radio

5910 series mobile includes:

- RF Deck Only
(Configuration Set & Assembly Labor Code must be order for a Complete Mobile.)
- Premium Warranty: 3 Years*

* All Accessories / options: 1 Year

GENERAL FEATURE

- 30W (763-806 MHz)
- 35W (806-870 MHz)
- 100 Zones / 1024 Channels
- Personality Lists
- Zone/CH Voice Announce
- Emergency Features
- Intercom
- Public Address
- Time Out Timer
- Busy Channel Lockout
- Ignition Sense
- Timed Power Off
- DB-25 & 9-Pin Accessory Connectors
- Transceiver Password
- Date & 12/24 Hour Time Clock
- Windows® Programming & Tuning
- Windows® Firmware Uploading
- Field-Programming & Tuning
- Voice Guide & Storage (option)
- MIL-STD 810 C/D/E/F/G, IP-54
- MIL-STD Noise-Cancel Mic (included)
- MIL-STD 12-Key DTMF Mic Option

MOUNTING CONFIGURATIONS

- Dash Mount
- Single Control Head Remote Mount
- Handheld Control Remote Mount
- Dual Control Head Remote Mount

FRONT PANELS/CONTROL HEADS

- Backlit Dot Matrix LCD
- 3-Digit Sub-Display
- Transmit LED
- Busy/Call Alert/Warn LED
- LCD Brightness Control
- Backlit Keys
- MIL-STD 810 512.X Driven Rain

KCH-14 Front Panel

- 12-Character Alphanumeric Aliases
- 5 PF & UP/DOWN Keys
- PF Key Label Inserts
- Built-in Front Speaker

KCH-15 Front Panel

- 14-Character Alphanumeric Aliases
- 11 PF Keys & UP/DOWN Keys
- PF Key Label Inserts

KHC-16 Handheld Control Head

- 14-Character Alphanumeric Aliases
- 5 PF Keys & UP/DOWN/LEFT/RIGHT Keys
- Front PF Keys Name Display
- 12-Key DTMF/Function Keypad
- External Speaker Required

P25 DIGITAL

- P25 Digital Conventional
- P25 Digital Trunking
- AMBE+2™ Enhanced VOCODER
- Talk Group ID Lists
- Individual ID Lists
- Caller ID Display
- RSSI Indicator
- Remote Monitor / Check, Radio Inhibit
- Encryption Key Zeroize & Retention
- DES Encryption Module Option
- AES & DES Encryption Module Option
- KPG-43AM Radio Program/Soft-Key Loader Cable
- KPG-94 KVL Device Key Loader Cable
- P25 GPS Location
- P25 OTAR Option

SCAN TYPES (FM & P25)

- Single Zone/Multi-Zone Scan
- Scan Lists
- Conventional Scan
- Limited Talk Group Scan
- Priority Monitor Scan
- Dual Priority Scan

FM

- QT / DQT
- Operator Selectable Tone
- DTMF Encode
- Horn Alert Output
- Companded Audio
- NPSPAC Channels

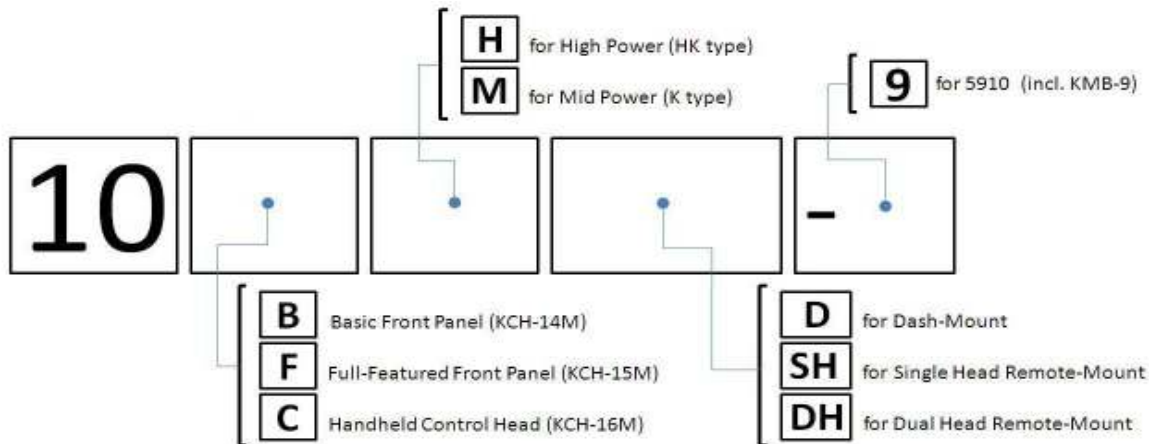


MODEL	MSWIN Compatible P25 Phase 1 FDMA Radio	EPL	LIST
TK-5910BK	700/800 MHz 2-30/35W 100 Zones/1024 Channels (R.F. DECK ONLY)	1,406.25	1,875.00
Programming Cost: \$75.00 Installation: See control head section for installation cost			

ACCESSORY CONFIGURATION SETS

EPL

LIST



Dash Mount

		<u>EPL</u>	<u>LIST</u>
10BMD-9	KCH-14M, KCT-23M, KMB-9, KMC-27	507.19	676.25
10FMD-9	KCH-15M, KCT-23M, KMB-9, KMC-27, KES-5	553.13	737.50

Programming Cost: \$75.00 Dash Mount Installation Cost: \$75.00

Single Head Remote Mount

		<u>EPL</u>	<u>LIST</u>
10BMSH-9	KCH-14M, KRK-5, KCT-22M2, KCT-23M3, KMB-9, KMC-27	682.88	910.50
10FMSH-9	KCH-15M, KRK-5, KCT-22M2, KCT-23M3, KMB-9, KMC-27, KES-5	728.81	971.75

Programming Cost: \$75.00 Single Head Remote Installation Cost: \$125.00

Dual Head Remote Mount

		<u>EPL</u>	<u>LIST</u>
10BMDH-9	KCH-14M(x2), KRK-6DH, KCT-22M2(x2), KCT-23M3, KMB-9, KMC-27(x2)	1,280.63	1,707.50
10FMDH-9	KCH-15M(x2), KRK-6DH, KCT-22M2(x2), KCT-23M3, KMB-9, KMC-27(x2), KES-5(x2)	1,372.50	1,830.00

Programming Cost: \$75.00 Dual Head Remote Installation Cost: \$250.00

Handheld Control Head Remote

		<u>EPL</u>	<u>LIST</u>
10CMSH	KCH-16M, KRK-11M, KCT-22M2, KCT-23M3, KMB-9, KES-5	784.69	1,046.25

Programming Cost: \$75.00 Handheld Installation Cost: \$125.00

FRONT PANELS & REMOTE KITS (Order Configuration Sets for full install accessories)

		<u>EPL</u>	<u>LIST</u>
KCH-14M	Basic Remote Control Head w/ 12 Alphanumeric Display (4W Front Speaker) Note: All KCH-14 / Basic Control Head configurations are shipped with the control heads 4W internal speaker enabled. Order L-1008 to enable the 13W external speaker output for KES-5 speaker use. This will disconnect the control heads internal 4W speaker !	378.00	504.00
KCH-15M	Full-Featured Remote Control Head w/ 14 Alphanumeric Display Note: requires an external speaker	378.00	504.00
KRK-5	Single Control Head Remote Mount Kit	110.25	147.00
KRK-6DH	Dual Control Head Remote Mount Kit	189.00	252.00

HANDHELD CONTROL HEAD REMOTE (Order Configuration Sets for full install accessories)		EPL	LIST
KCH-16M	Handheld Control Head for P25 Mobiles Note: requires KRK-11M, KCT-22M/M2/M3, & KES-5	409.50	546.00
KRK-11M	KCH-16M HHCH Interface Kit for Single Head Remote	212.63	283.50
CABLES		EPL	LIST
KCT-18	Ignition sense cable	10.28	13.70
KCT-22M	Control cable - 8 Feet	55.13	73.50
KCT-22M2	Control cable - 17 Feet (Standard accessory config. set cable)	63.00	84.00
KCT-22M3	Control cable - 25 Feet	70.88	94.50
KCT-23M	DC Cable (Dash mount)	23.63	31.50
KCT-23M3	DC Cable (Remote mount)	26.06	34.75
MOBILE INSTALLATION ACCESSORIES		EPL	LIST
KLF-2	Line Filter (suppresses alternator whine, 25dB, 25A max)	31.50	42.00
KMB-9	Heavy Duty Mounting Bracket with built-in key lock	27.56	36.75
MICROPHONES AND SPEAKERS		EPL	LIST
KES-5	External Speaker (40W max input)	45.94	61.25
KMC-27	MIL-SPEC noise-canceling mobile hand microphone	78.00	104.00
KMC-28	MIL-SPEC DTMF noise-canceling mobile hand microphone	122.25	163.00
KMC-9B	Desk top microphone	72.38	96.50

SERVICE RELATED ACCESSORIES		EPL	LIST
KPG-95DGK	<p>Windows® Programming Software for TK-5x10 & TK-5x10G Portables & Mobiles (Compliant with FCC Part 90 Narrowbanding) Note: Self-programming function is not available.</p> <p>Analog & P25 Conventional Programming A "Dealer-Level" License ID is included with each KPG-95D/DG(N)K which only permits full analog conventional and P25 conventional programming. Data files created with a "Network-Level Licensed" KPG-95D/95DG(N) and containing P25 programmed P25 trunked network parameters can be loaded and viewed with a Dealer-Level Licensed KPG-95D/DG(N)K, but the trunked network parameters cannot be changed.</p> <p>P25 Trunked Programming Capability (licensed by either 1 or 2 below):</p> <p>1. KPG-95DG(N)K with System Key File (*.SKF)- See L-989</p> <ul style="list-style-type: none"> • For all TK-5x10 radio platforms (VER1, 2, 3 or later). • 3-digit HEX System ID (HSID) and verifiable written authorization required from trunked system operator (SYSOP). • Purchase KPG-95DG(N)K & L-989 Network-Level License ID • Kenwood ships an encrypted *.SKF file on CD ROM • The *.SKF securely embeds/encrypts the 16-digit Network Level License ID & the HSID. <p>2. KPG-95DG(N)K with Advanced Network Keys (ANK's)</p> <ul style="list-style-type: none"> • For TK-5x10G/5410/5910 VER 3 or later radio platforms only. • SYSOPs: Refer to KWD-ANK-MK Master Key • Dealers/contractors: Refer to KWD-ANK-AK Access Key 	471.00	628.00
KWD-ANK-MK	<p>Master Key for activating KWD-ANK-AK Access Keys - Restricted Purchase Requirements -</p> <p>Notes:</p> <ul style="list-style-type: none"> • For TK-5x10G/5410/5910 VER 3 or later radio platforms only. • Sold to SYSOP or SYSOP authorized entities only • Must have KPG-95DG(N)K (V7.0 or later) with L-989 Network-Level License ID • SYSOP must provide 3-digit HEX HSID to Kenwood. • Purchase KWD-ANK-AK Access Keys if needed. • Battery Life: 3 years (non-serviceable; key must be replaced) 	375.00	500.00
KWD-ANK-AK	<p>Access Key for KPG-95DG(N)K P25 trunked programming</p> <p>Notes:</p> <ul style="list-style-type: none"> • For TK-5x10G/5410/5910 VER 3 or later radio platforms only • Must be activated by a SYSOP with KWD-ANK-MK Master Key. • Must have KPG-95DG(N)K (V7.0 or later); L-989 is NOT required. • Battery Life: 3 years (non-serviceable; key must be replaced) 	156.00	208.00
KPG-43UM	USB Programming interface cable	118.88	158.50
KPG-94	Key Loader Interface Cable for Motorola KVL-3000/3000 Plus	196.88	262.50

FRIMWARE OPTIONS		EPL	LIST
KWD-RK20	OTAR Option for KWD-AE20K Encryption Module in TK-5x10 series (OTAR in P25 Conventional & Trunked Modes) <ul style="list-style-type: none"> • Requires KWD-AE20K module. • L-1108 (for portable) & L-1109 (for mobile) Installation (no charge) • L-1733 (for portable) & L-1734 (for mobile) Field Upgrade Option <p>Note:</p> <ul style="list-style-type: none"> • Supports OTAR in P25 Conventional & Trunked modes (Not compatible with GK7 64 CH Model) • Compatible with Motorola KMF P25 OTAR (excludes Motorola-proprietary non-TIA/P25 KMF features) • Requires KPG-95D/DG(N) V7.10 or later for radio programming • TK-5x10 VER2: Requires KPG-95D V5.40 or later for radio programming • TK-5410/5910: Requires KPG-95D V6.00 or later for radio programming • TK-5x10G: Requires KPG-95DG(N) for radio programming • TK-5x10 VER2: Option deletes self-programming, cloning and analog FleetSync® (except PTT ID/Emergency) when installed. <p>KWD-RK20 is a U.S. DOC/BIS Export Controlled Item (ECCN 5D002A) - See IMPORTANT NOTES -</p>	622.50	830.00
SOFTWARE OPTIONS		EPL	LIST
KPG-113AE	AES/DES Encryption Software Key Loader for KWD-DE21K/KWD-AE21K KPG-113AE is a U.S. DOC/BIS Export Controlled Item (ECCN 5D002A) - See IMPORTANT NOTES -	393.75	525.00
KPG-114DE	DES Encryption Software Key Loader for KWD-DE21K/KWD-AE21K KPG-114DE is a U.S. DOC/BIS Export Controlled Item (ECCN 5D992A.1) - See IMPORTANT NOTES -	276.00	368.00
OPTION MODULES		EPL	LIST
KWD-AE20K	AES FIPS140-2 & DES Encryption Module for TK-5*10 and 5*20 Portables & Mobiles Order a Labor Code (L-1345) if installation is required. KWD-AE20K requires: a Motorola KVL3000 Plus key loader device. KWD-AE20K is a U.S. DOC/BIS Export Controlled Item (ECCN 5A002A.1) - See IMPORTANT NOTES -	748.50	998.00
KWD-AE21K	AES & DES Encryption Module for TK-5*10 and 5*20 Portables & Mobiles Order a Labor Code (L-1346) if installation is required. Note: Requires KPG-113AE software key loader or Motorola KVL3000 Plus key loader device. KWD-AE21K is a U.S. DOC/BIS Export Controlled Item (ECCN 5A002A.1) - See IMPORTANT NOTES -	748.50	998.00
KWD-DE21K	DES Encryption Module for TK-5*10 and 5*20 Portables & Mobiles Order a Labor Code (L-1602) if installation is required Note: Requires KPG-114DE or KPG-113AE software key loader or Motorola KVL3000 Plus key loader device KWD-DE21K is a U.S. DOC/BIS Export Controlled Item (ECCN 5A992A) - See IMPORTANT NOTES -	433.50	578.00
KWD-HW10M-BK	P25 Phase II upgrade option 700/800 MHz. RF deck only. (Option must be purchased with a TK-5910BK Phase I new radio.	400.00	N/A
INSTALLATION / TUNING CHARGES		EPL	LIST
L-862	Install Front Panel PF Key Label Inserts in TK-5*10/90-series Mobile (key names and positions must be specified)	11.25	15.00
L-864	KCT-22A Extended Control Head Cable (Specify length in 1 ft increments up to 50 ft. max.)	142.50	190.00
L-865	KCT-22A Extended Control Head Cable (Specify length in 1 ft. increments up to 100 ft. max.) Extended control head cables: Extended cables result in a loss of control head audio power. On KCH-14 use 13W audio output modifications per service manual Use a standard KCT-22 25 ft. or less cable for firmware installation. Normal KPG-95D radio programming is possible at extended lengths.	183.75	245.00
L-962	Install VGS-1 Voice Guide & Storage Unit	18.75	25.00

INSTALLATION / TUNING CHARGES - CONT'D		EPL	LIST
L-989	KPG-95D/95DG(N) Network Level ID (encrypted data file) Note: Enables Trunked system programming privileges in a KPG-95DG(N)K. - Restricted Purchase Requirements - • 3-Digit HEX System ID (HSID) from SYSOP required • Must Purchase KPG-95DG(N)K (V7.0 or later) with L-989 • Kenwood ships an encrypted *.SKF file on CD ROM • Non-SYSOP entities ordering L-989 must provide verifiable written authorization from SYSOP to receive an *.SKF file. • The 16-digit Network Level License ID & 3-digit HEX HSID are securely encrypted & embedded in the *.SKF file.	99.00	132.00
L-1005	TK-5*10 Programming (Basic TX/RX check only with factory test freq.s or dealer/customer provided KPG-95D/DG(N) data file)	93.75	125.00
L-1008	External Speaker modification for TK-5*10 mobile Control Head (13W) Note: All Basic Control Head (KCH-14M) configurations are shipped with the control heads 4W internal speaker enables. Order L-1008 to enable the 13W external speaker output for KES-5 speaker use. This will disconnect the control heads internal 4W speaker!	7.50	10.00
L-1028	Package Dash/Single Head Remote for 5*10 mobiles	12.75	17.00
L-1029	Package Dual Head Remote for 5*10 mobiles	25.50	34.00
L-1110	Package HHCH Remote for 5*10 mobiles	18.75	25.00
L-1345	Install KWD-AE20K in TK-5*10 Mobile (Must purchase module separately)	56.25	75.00
L-1346	Install KWD-AE21K in TK-5*10 Mobile (Must purchase module separately)	56.25	75.00
L-1602	Install KWD-DE21K in TK-5*10 Mobile (Must purchase module separately)	56.25	75.00
L-1734	KWD-RK20 Field Upgrade Option for TK-5x10/5x10G/5910 (Must purchase KWD-RK20 separately)	31.50	42.00

-- IMPORTANT NOTES --

Encryption modules, key loaders and radios containing encryption are export controlled by the U.S. Department of Commerce Bureau of Industry & Security EAR regulations and may either require an Export License, are eligible for a License Exception (ENC) or are exportable with No License Required (NLR) depending on the country, the consignee and the intended use. High level encryption is a special commodity that may require an export license to most countries. See www.bis.gov for more information regarding export regulations. DO NOT SHIP encryption items outside the U.S. without proper DOC/BIS Export Licenses and/or compliances.

Kenwood may request the following information to be submitted at time of order (this information must meet Kenwood internal approvals prior to shipment even if being returned to Kenwood later:

a) Initial Destination: Initial delivery point if different from Ultimate Destination (customer distribution center, headquarters, dealership, manufacturer's representative)

* Business/Agency Name:

* Address:

* Contact Person Name:

* Contact Phone:

b) Ultimate Destination: Final delivery point(s); deployment/distribution

* Business/Agency Name:

* Address:

* Contact Person Name:

* Contact Phone:

c) Intended Use of Radios: Law enforcement, security, operations, etc.

KWD-AE20 AES FIPS140-2 SCM , NIST Validation & Customer Shipping

A secure delivery method direct to the end user customer is required by the NIST AES FIPS 140-2 validation rules. For U.S. Federal Government entities the SCM must ship from Kenwood USA Corporation directly to the end user customer by a trusted carrier (FEDEX, UPS or a designated Kenwood USA Corporation employee); shipping/handling by a dealer or other entity is not acceptable. This may or may not be required by local/state government agencies or business/industrial users. Please check with the end use customer about their AES encryption handling requirements before ordering. Kenwood will not be responsible for shipments of KWD-AE20K modules to erroneous destinations specified on an order.